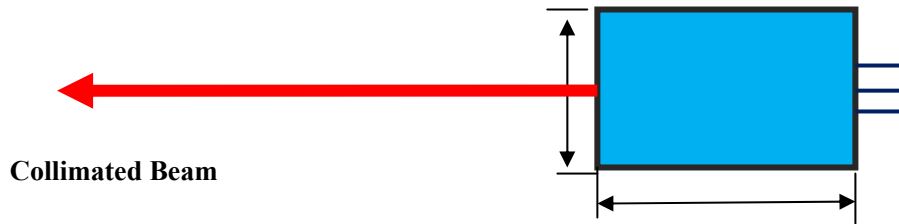


445nm Collimated Laser Diode Module | Single Mode LD| 100mw~120mw Output Power| Collimation Beam
 440nm~450nm LD| Small Compact Package| Built-in PD Optional| Built-in TEC Cooling Optional
 WSLM-445-120m-K Wavespectrum Laser Group www.wavespectrum-laser.com

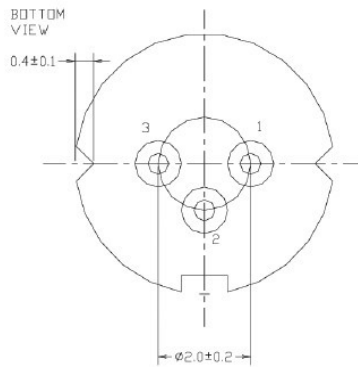
445nm Collimated Laser Diode 120mw		Wavespectrum Laser Group	
PARAMETER	SYMBOL	VALUE	UNIT
Reverse Voltage	V_r	2.0	V
Operating Temperature	T_{op}	10 ~ +70	°C
Storage Temperature	T_{stg}	-40 ~ +85	°C
Lead soldering temperature (10 sec.)	T_{is}	260	°C
Features: <ul style="list-style-type: none"> • 445nm • Collimated Laser Beam • Small Compact Package • Excellent Beam Quality • Built-in PD Optional • Built-in TEC Cooling Optional 			
Specifications		WSLM-445-120m-K	
		Min	Type
Center Wavelength@25°C		440nm	445nm
Output Power (CW Mode)		----	100mW
Spatial Mode		Single Mode	
Lens Type		Aspheric Lens (with AR Coating)	
Beam Shape		Elliptical	
Beam Diameter @ Aperture		----	3mm _⊥ x 1.5mm _{//}
Beam Divergence (Full Angle)		----	1mrad
Recommend Operating Temperature		25 °C	
Monitor Current		----	----
Threshold Current (Typ.)		----	30mA
Operating Current (Typ.)		----	130mA
Operating Voltage		----	5.5V
Housing Material		Aluminum	
Housing Dimensions		Customized	



Drawing



PIN Bottom View:



1	LD(+)
2	GND
3	LD(-)

Electrically shorten LD module and store in non-extreme conditions.
 Suggest using the constant current power supply.

