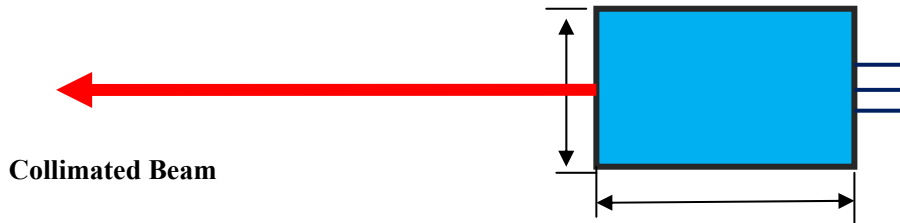


**405nm Collimated Laser Diode Module | Single Mode LD| 150mw~200mw Output Power| Collimation Beam
405nm LD| Small Compact Package| Built-in PD Optional| Built-in TEC Cooling Optional
WSLM-405-200m-K Wavespectrum Laser, Inc. www.wavespectrum-laser.com**

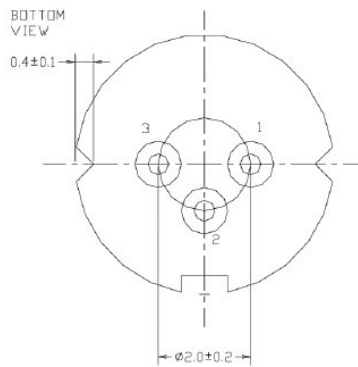
405nm Collimated Laser Diode		200mw		Wavespectrum Laser, Inc	
PARAMETER		SYMBOL	VALUE		UNIT
Reverse Voltage		V_r	2.0		V
Operating Temperature		T_{op}	-10~+70		°C
Storage Temperature		T_{stg}	-40 ~ +85		°C
Lead soldering temperature (10 sec.)		T_{is}	260		°C
Features: <ul style="list-style-type: none"> ● 405nm ● CW/ Pulsed Mode ● Collimated Laser Beam ● Small Compact Package ● Excellent Beam Quality ● Built-in PD Optional ● Built-in TEC Cooling Optional 					
Specifications		WSLM-405-200m-K			
		Min	Type	Max	
Center Wavelength@25°C		395nm	405nm	415nm	
Output Power	(CW Mode)	150mW	----	200mW	
	(Pulsed Mode)	300mW	----	400mW	
		Pulse Width: 30ns , Duty: 50%			
Spatial Mode		Single Mode			
Lens Type		Aspheric Lens (with AR Coating)			
Beam Shape		Elliptical			
Beam Diameter @ Aperture		----	3mm _L x 1.5mm _{//}	----	
Beam Divergence (Full Angle)		----	----	1mrad	
Recommend Operating Temperature		25 °C			
Monitor Current		----	----	----	
Threshold Current (Typ.)		----	35mA	60mA	
Operating Current (Typ.)		150mA	180mA	200mA	
Operating Voltage		4.2V	4.6V	5.5V	
Housing Material		Aluminum			
Housing Dimensions		Customized			



Drawing



PIN Bottom View:



1	LD(+)
2	GND
3	LD(-)

Electrically shorten LD module and store in non-extreme conditions.
 Suggest using the constant current power supply.

