

375nm 100mW Fiber Receptacle Diode Laser Module | UV LD Module
370nm~380nm 100mW Fiber Detachable Laser Diode Module | Suit for 105um UV Fiber

WSLR-375-100m-M

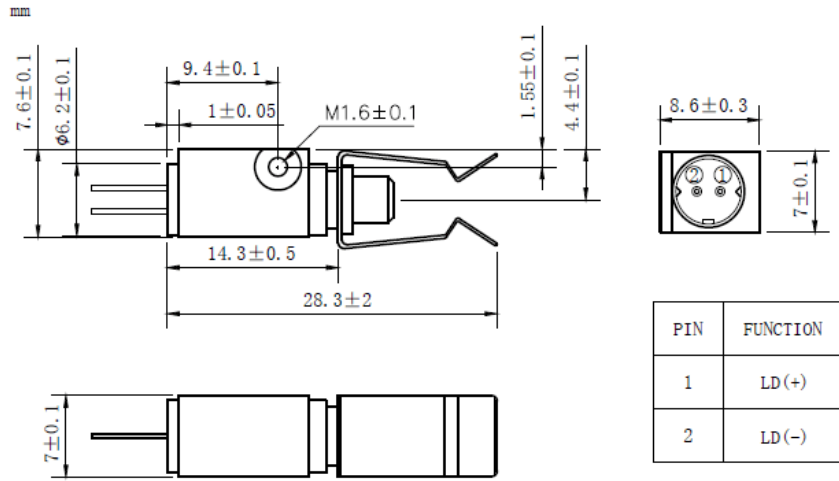
Wavespectrum laser Group.

www.wavespectrum-laser.com

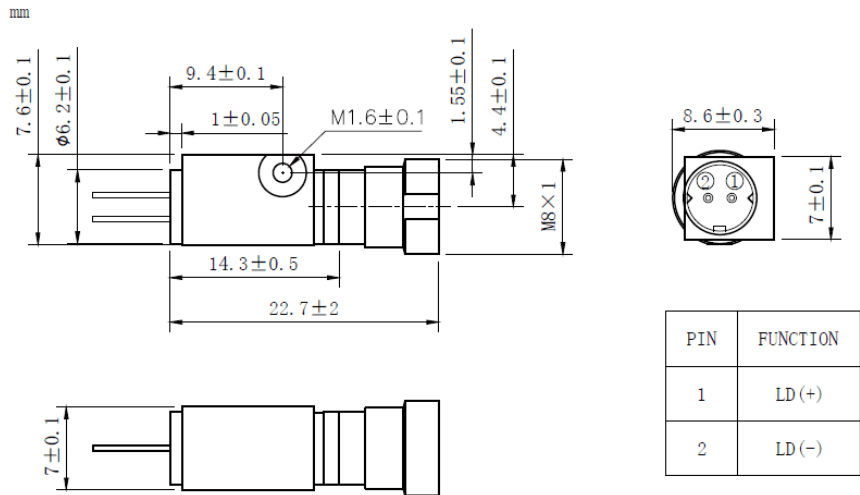
375nm Pigtailed Diode Laser		100mW/105um Fiber		Wavespectrum Laser Group	
PARAMETER	SYMBOL	VALUE		UNIT	
Reverse Voltage	V_r	2.0		V	
Operating Temperature	T_{op}	+10 ~ +30		°C	
Storage Temperature	T_{stg}	-40 ~ +85		°C	
Lead soldering temperature (10 sec.)	T_{is}	260		°C	
Features: <ul style="list-style-type: none"> ● 375nm ● 100mW Output Power ● Fiber Receptacle Package ● SC or FC Connector 					
Applications: <ul style="list-style-type: none"> ● Medical Laser Treatment ● CTP Printing ● Others 					
Specifications	WSLR-375-100m-M				
	Min	Type	Max		
Center Wavelength@25°C	375nm±10nm				
Spectral Width (FWHM)	----	2.0nm	----		
Output Power	----	100mW	----		
Used Fiber Type	105um, 200um, 400um UV Fiber				
Threshold Current (Typ.)	----	200mA	300mA		
Operating Current (Typ.) For CW Mode	----	300mA	400mA		
Operating Voltage	----	4.5V	5.5V		
Recommend Operating Temperature	25°C				
Package	Receptacle				
Ferrule Type:	SC or FC				



SC Receptacle Package View:



FC Receptacle Package View:



Electrically shorten LD module and store in non-extreme conditions.

Suggest using the constant current power supply.

