

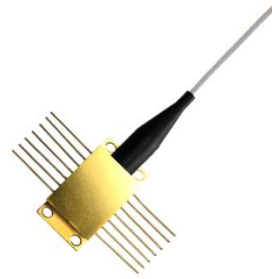
1210nm 1W Multi-mode Fiber Coupled Laser Diode

Features:

- 1210nm
- 105um Multi-Mode Fiber
- 14-Pin Package
- Built-in Photodiode
- Built-in TE Cooler

Applications:

- Medical Laser Treatment
- Biological Laser
- Others



WAVESPECTRUM can offer high stability fiber coupled laser module. The fiber types can be single-mode fiber (SMF), polarization maintaining fiber (PMF) and multimode fiber (MMF). We choose the world's top level laser chips in making the lasers to ensure the high quality. And the lasers will undergo severe restricted aging and testing before sending to the customer. At present, we can offer the pigtailed laser products with the wavelength range of 375nm ~ 1920nm, and the output power range is from 1mW to 50W. We adopt the unique technical scheme to makes the laser and the lasers are of high stability and low noise. For single-mode fiber (SMF) and polarization maintaining fiber (PMF) coupling laser, the light spot is single transverse mode Gaussian beam. And the polarization extinction ratio can reach greater than 20dB (PER) as per customer's requirements.



WAVESPECTRUM can offer various wavelengths listed as below:: 375nm, 405nm, 445nm/450nm, 465nm, 488nm, 505nm/510nm, 515nm/520nm/525nm, 633nm, 635nm/638nm/640nm/642nm, 650nm/658nm/660nm, 670nm, 685nm/690nm, 705nm, 730nm, 755nm/760nm/770nm, 780nm/785nm, 795nm, 800nm/808nm/810nm, 820nm/830nm, 840nm/850nm/860nm, 880nm, 905nm,915nm, 940nm, 976nm/980nm, 1060nm/1064nm, 1210nm, 1270nm, 1280nm, 1290nm, 1310nm, 1330nm, 1350nm, 1370nm, 1390nm, 1410nm, 1430nm, 1450nm, 1470nm, 1490nm, 1510nm, 1530nm, 1550nm, 1570nm, 1590nm, 1610nm, 1625nm, 1650nm, 1720nm, 1900nm, 1920nm.

WAVESPECTRUM can provide a variety of laser products: single mode laser diode, multimode laser diode, single mode fiber coupling laser modules, polarization maintaining fiber coupled laser modules, multi-mode pigtailed laser modules, fiber detachable laser module, RGB white fiber coupled laser module, medical laser module, turnkey fiber coupled laser system, etc. The main packages for the lasers can be: TO18 | TO5 | C-mount | TO3 | E-mount | H-mount | COS | 2-pin | 4-pin | 9-pin | 14-pin.

WAVESPECTRUM - welcome to to inquiry any time!

Pls visit our Website for more info.: <http://www.wavespectrum-laser.com.cn/index.html>

MORE CHOICES, MORE IDEAS

| | | | | | | | | | | | | |
|---|-----------------------------------|----------------------------|---------------------|----------------------------------|-----------------------------|--------|--------|--------|--------|--------|--------|--------|
|       | | | | | | | | | | | | |
| Laser Diode | Fiber Coupled Laser Module | Fiber Receptacle LD | Laser System | RGB Pigtailed White Laser | Medical Laser Module | | | | | | | |
| 375nm | 405nm | 445nm | 465nm | 488nm | 505nm | 520nm | 525nm | 635nm | 650nm | 660nm | 670nm | 680nm |
| 685nm | 760nm | 785nm | 790nm | 808nm | 830nm | 850nm | 860nm | 880nm | 905nm | 915nm | 940nm | 980nm |
| 1064nm | 1210nm | 1270nm | 1280nm | 1290nm | 1310nm | 1330nm | 1350nm | 1370nm | 1390nm | 1410nm | 1430nm | 1450nm |
| 1470nm | 1490nm | 1510nm | 1530nm | 1550nm | 1570nm | 1590nm | 1610nm | 1625nm | 1650nm | 1720nm | 1900nm | 1920nm |
|  <div style="display: flex; justify-content: space-between;"> <div> <p>WAVESPECTRUM LASER GROUP LIMITED</p> <p>Email: sales@wavespectrum-laser.com.cn</p> <p>Tel.: +86 22 8793 1118</p> <p>Web.: http://en.wavespectrum-laser.com.cn</p> </div> <div style="text-align: right;">  </div> </div> | | | | | | | | | | | | |



1210nm 1W Multi-mode Fiber Coupled Laser Diode

| Part Number | WSLX-1210-001-M-H14-T-PD | | |
|--------------------------------------|------------------------------|------------------------------|-----------------|
| PARAMETER | SYMBOL | VALUE | UNIT OF MEASURE |
| Reverse Voltage | V_r | 2.0 | V |
| Operating Temperature | T_{op} | +10~+30 | °C |
| Storage Temperature | T_{stg} | -20~+80 | °C |
| Lead Soldering Temperature (10 sec.) | T_{ls} | 260 | °C |
| Typical Specification (@25°C) | | Min. | Typical Value |
| Optical Specifications | Center Wavelength | 1210nm+/-20nm | |
| | Output Power | ---- | 1.0W |
| | Spectral Width(FWHM) | ---- | 7.0nm |
| | Wavelength Temp. Coefficient | 0.7nm/°C | |
| | Laser Type | FP | |
| Fiber Specifications | Fiber Core | 105um (200um/400um Optional) | |
| | N.A. | 0.22 | |
| | Fiber Type | Multi-mode Fiber | |
| | Fiber Length | >80cm | |
| | Fiber Connector | FC/SMA905/SC/ST | |
| Electrical Specifications | Threshold Current | ---- | 0.3A |
| | Operating Current | ---- | 3.3A |
| | Operating Voltage | ---- | 1.3V |
| Photodiode Specifications | Photodiode | Built-in | |
| | PD Current | ---- | 0.1mA |
| | PD Reverse Voltage (Max.) | 30V | |
| TE Cooler Specifications | TEC Current (Max.) | 2A | |
| | TEC Voltage (Max.) | 8V | |
| Thermistor | Thermistor (@25°C) | 10KΩ | |
| Other Specifications | Package | 14-Pin | |
| | Recommended Operating Temp. | 25°C | |

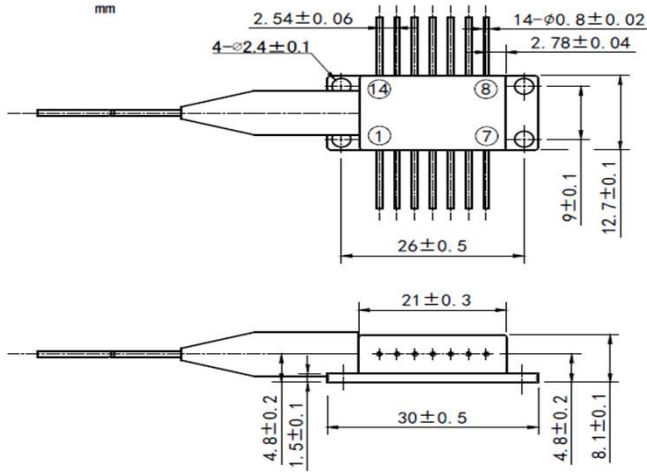


1210nm 1W Multi-mode Fiber Coupled Laser Diode

Product Package View:

14-Pin Package View:

(Part Number: WSLX-1210-001-M-H14-T-PD)



Pin Out:

| PIN | FUNCTION | PIN | FUNCTION |
|-----|------------|-----|----------|
| 1 | TEC (+) | 14 | TEC (-) |
| 2 | Thermistor | 13 | CASE |
| 3 | PD (+) | 12 | None |
| 4 | PD (-) | 11 | LD (-) |
| 5 | Thermistor | 10 | LD (+) |
| 6 | None | 9 | None |
| 7 | None | 8 | None |

