
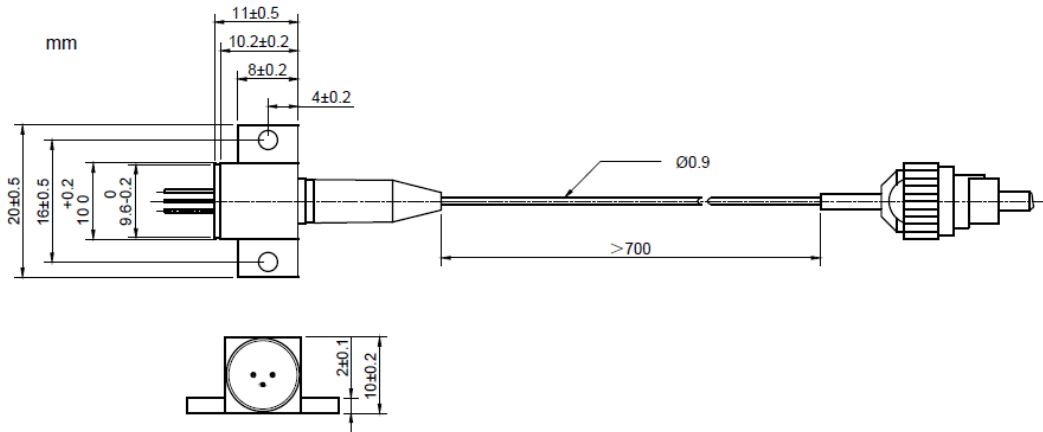
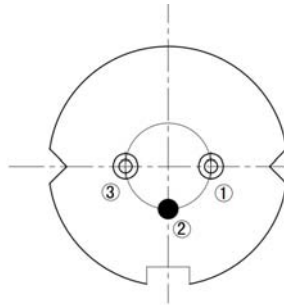


**1060nm~1064nm 30mW~40mW SM Coaxial Pigtailed Laser Diode with 6um Single Mode Fiber**
**1064nm |30mW | SM Fiber Coupled Diode Laser Module | Built-in PD |SMF LD Module**
**WSLP-1064-030m-4-PD**
**Wavespectrum Laser Group**
**www.wavespectrum-laser.com**

1064nm Pigtailed Diode Laser		30mW/SMF		en.wavespectrum-laser.com.cn	
PARAMETER	SYMBOL	VALUE		UNIT	
Reverse Voltage	$V_r$	2.0		V	
Operating Temperature	$T_{op}$	-10~+50		°C	
Storage Temperature	$T_{stg}$	-40~+85		°C	
Lead soldering temperature (10 sec.)	$T_{is}$	260		°C	
<b>Features:</b> <ul style="list-style-type: none"> <li>● 1064nm</li> <li>● 6um Single Mode Fiber</li> <li>● B15 Package</li> <li>● Built-in PD</li> </ul>					
<b>Applications:</b> <ul style="list-style-type: none"> <li>● Medical Laser Treatment</li> <li>● Sensor</li> <li>● Others</li> </ul>					
<b>Specifications</b>	<b>WSLP-1064-030m-4-PD</b>				
	Min	Type	Max		
Center Wavelength@25°C	$\pm 10\text{nm}$	1064nm	$\pm 20\text{nm}$		
Recommended Operating Temperature	25°C				
Output Power	----	30mW	----		
Fiber Type	Single Mode Fiber				
Fiber Core	6um				
Monitor Current	----	0.2mA	----		
PD Reverse Voltage	----	----	30V		
Fiber Connector	FC/SC/SMA905				
Fiber Length	----	80cm	100cm		
Threshold Current (Typ.)	----	20mA	55mA		
Operating Current (Typ.)	----	240mA	260mA		
Operating Voltage	----	1.8V	2.5V		
Package Style	B15				
Photodiodes	Built-in				



**B15 Package View:**

**PIN Bottom View:**


1	LD(-)
2	LD(+)&PD(-)
3	PD(+)

Electrically shorten LD module and store in non-extreme conditions.

Suggest using the constant current power supply.

