


1060nm~1064nm 50mW~60mW SM Coaxial Pigtailed Laser Diode with 9um SMF-28 Fiber

1064nm |50mW | 9um Pigtailed Fiber Coupled Diode Laser Module | Built-in PD | Infrared LD Module

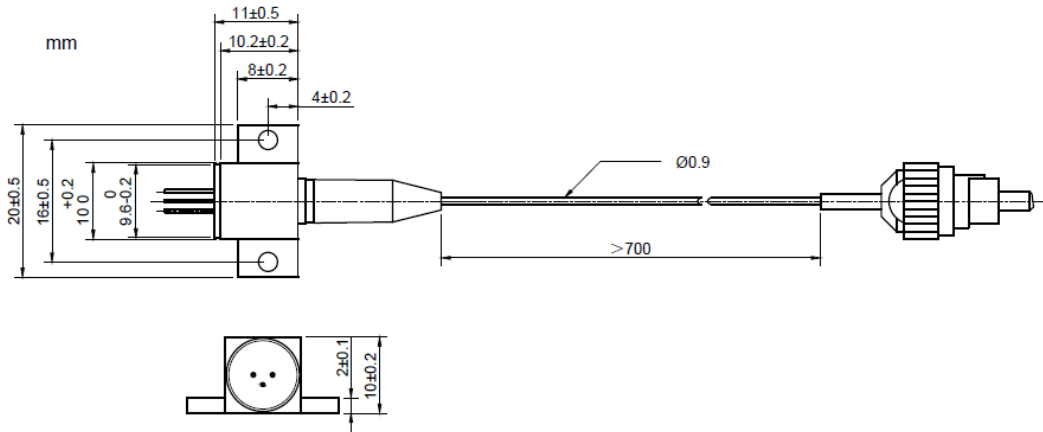
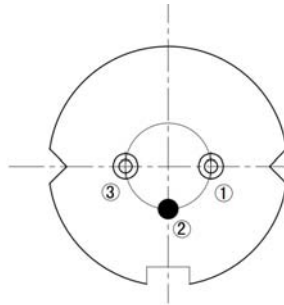
WSLP-1064-050m-9-PD

Wavespectrum Laser Group

www.wavespectrum-laser.com

1064nm Pigtailed Diode Laser		50mW/9um		en.wavespectrum-laser.com.cn	
PARAMETER	SYMBOL	VALUE		UNIT	
Reverse Voltage	V_r	2.0		V	
Operating Temperature	T_{op}	-10~+50		°C	
Storage Temperature	T_{stg}	-40~+85		°C	
Lead soldering temperature (10 sec.)	T_{is}	260		°C	
Features: <ul style="list-style-type: none"> ● 1064nm ● 9um Fiber ● B15 Package ● Built-in PD 					
Applications: <ul style="list-style-type: none"> ● Medical Laser Treatment ● Sensor ● Others 					
Specifications	WSLP-1064-050m-9-PD				
	Min	Type	Max		
Center Wavelength@25°C	$\pm 10\text{nm}$	1064nm	$\pm 20\text{nm}$		
Recommended Operating Temperature	25°C				
Output Power	----	50mW	----		
Fiber Type	SMF-28				
Fiber Core	9um				
Monitor Current	----	0.2mA	----		
PD Reverse Voltage	----	----	30V		
Fiber Connector	FC/SC/SMA905				
Fiber Length	----	80cm	100cm		
Threshold Current (Typ.)	----	20mA	55mA		
Operating Current (Typ.)	----	240mA	260mA		
Operating Voltage	----	1.8V	2.5V		
Package Style	B15				
Photodiodes	Built-in				



B15 Package View:

PIN Bottom View:


1	LD(-)
2	LD(+)&PD(-)
3	PD(+)

Electrically shorten LD module and store in non-extreme conditions.

Suggest using the constant current power supply.

