
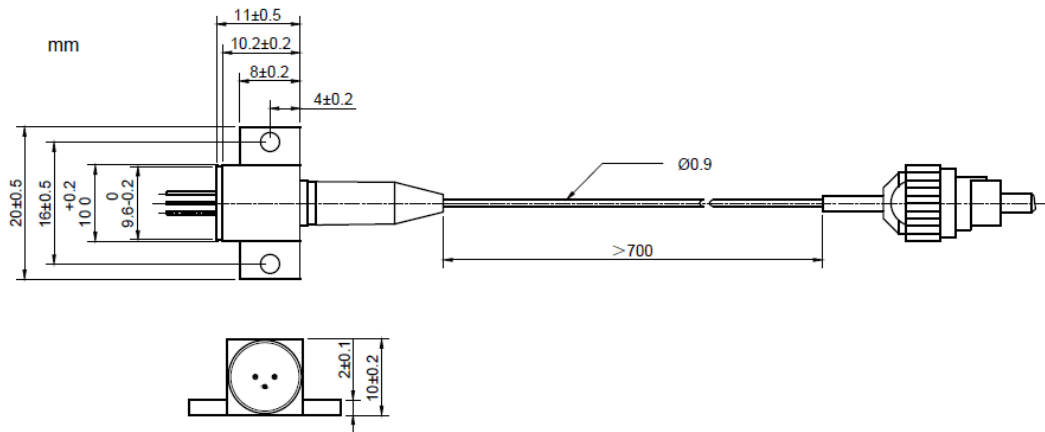
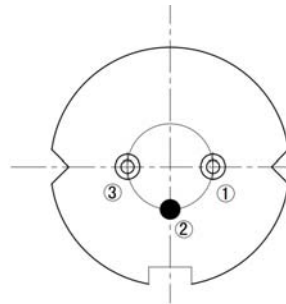


1064nm 50mW Coaxial Pigtailed Diode Laser with Polarization Maintaining Fiber
1060nm~1064nm | 50mW | PM Fiber Coupled Laser Diode Module | Built-in PD | SMF LD Module
WSLP-1064-050m-PM-PD
Wavespectrum Laser Group
www.wavespectrum-laser.com

1064nm Pigtailed Diode Laser		50mW/PMF		en.wavespectrum-laser.com.cn
PARAMETER	SYMBOL	VALUE		UNIT
Reverse Voltage	V_r	2.0		V
Operating Temperature	T_{op}	-10~+50		°C
Storage Temperature	T_{stg}	-40~+85		°C
Lead soldering temperature (10 sec.)	T_{is}	260		°C
Features: <ul style="list-style-type: none"> 🔸 1064nm 🔸 PM Fiber 🔸 B15 Package 🔸 Built-in PD 				
Applications: <ul style="list-style-type: none"> 🔸 Medical Laser Treatment 🔸 Sensor 🔸 Others 				
Specifications	WSLP-1064-050m-PM-PD			
	Min	Type	Max	
Center Wavelength@25°C	$\pm 10\text{nm}$	1064nm	$\pm 20\text{nm}$	
Recommended Operating Temperature	25°C			
Output Power	----	50mW	----	
Fiber Type	Polarization Maintaining Fiber			
Fiber Core	6um			
Polarization Extinction Ratio	13dB	15dB	----	
Monitor Current	----	0.2mA	----	
PD Reverse Voltage	----	----	30V	
Fiber Connector	FC/APC			
Fiber Length	----	80cm	100cm	
Threshold Current (Typ.)	----	30mA	60mA	
Operating Current (Typ.)	----	320mA	350mA	
Operating Voltage	----	2.0V	2.5V	
Package Style	B15			
Photodiodes	Built-in			
High Polarization Extinction Ratio (PER) Version Laser Module is also available, please contact us.				



B15 Package View:

PIN Bottom View:


1	LD(-)
2	LD(+)&PD(-)
3	PD(+)

Electrically shorten LD module and store in non-extreme conditions.

Suggest using the constant current power supply.

