


980nm 20mW SM Coaxial Pigtailed Laser Diode with 9um Fiber | Built-in Photodiode

976nm~980nm 20mW SM Fiber Coupled LD with 9um SMF-28 Fiber | With PD

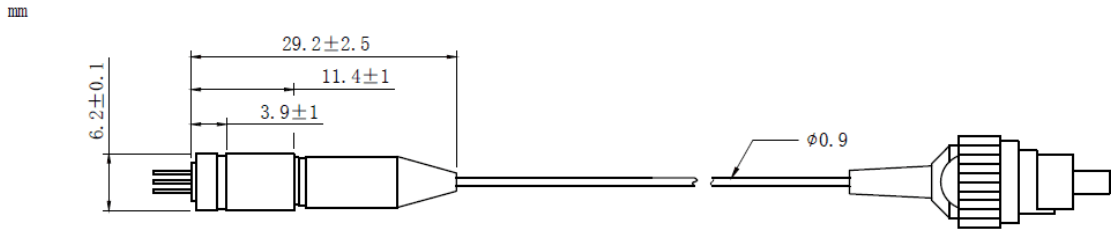
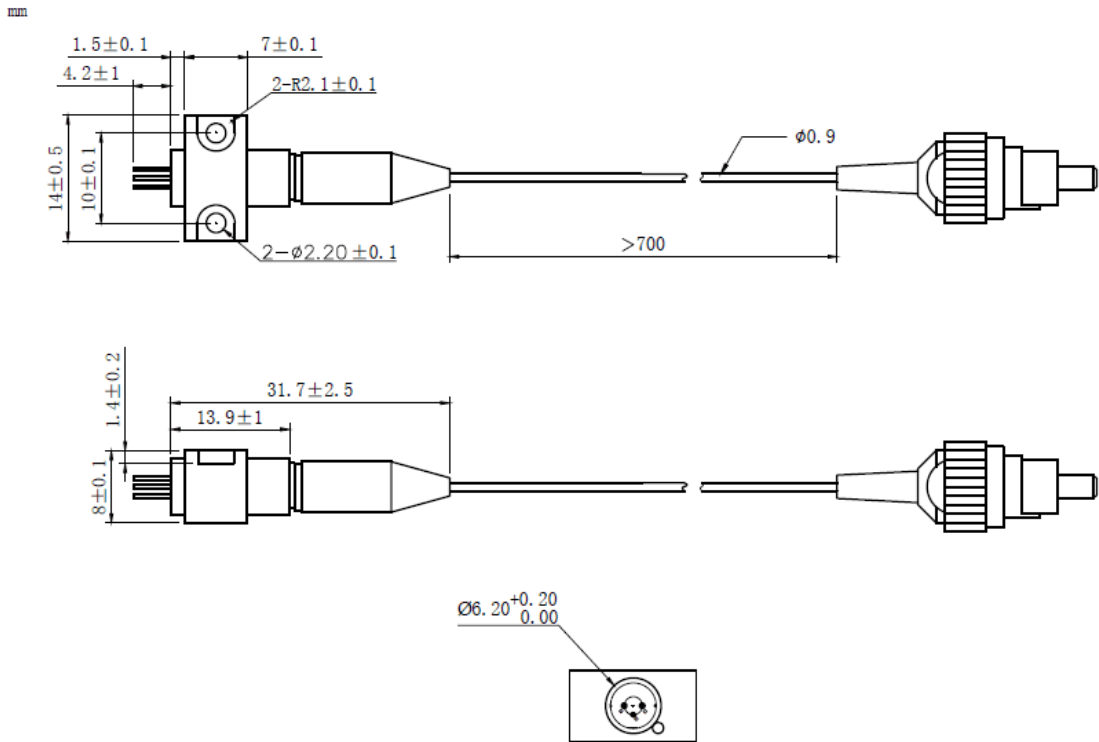
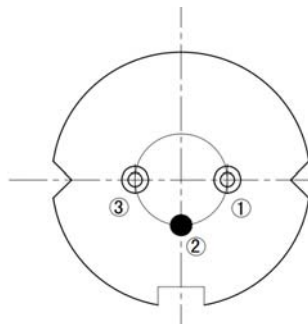
WSLP-980-020m-9-PD

Wavespectrum Laser Group

www.wavespectrum-laser.com

980nm Pigtailed Diode Laser		20mW/9um Fiber		en.wavespectrum-laser.com.cn
PARAMETER	SYMBOL	VALUE	UNIT	
Reverse Voltage	$V_r$	2.0	V	
Operating Temperature	$T_{op}$	-10~+50	°C	
Storage Temperature	$T_{stg}$	-40~+85	°C	
Lead soldering temperature (10 sec.)	$T_{is}$	260	°C	
<b>Features:</b> <ul style="list-style-type: none"> <li>976nm</li> <li>9um Fiber</li> <li>Coaxial or B82 Package</li> <li>Built-in PD</li> </ul>				
<b>Applications:</b> <ul style="list-style-type: none"> <li>Medical Laser Treatment</li> <li>Sensor</li> <li>Others</li> </ul>				
<b>Specifications</b>	<b>WSLP-980-020m-9-PD</b>			
	Min	Type	Max	
Center Wavelength@25°C	±5nm	976nm	±15nm	
Recommended Operating Temperature	25°C			
Output Power	----	20mW	----	
Fiber Type	SMF-28			
Fiber Core	9um			
Monitor Current	----	0.2mA	----	
PD Reverse Voltage	----	----	30V	
Fiber Connector	FC/SC/SMA905			
Fiber Length	----	80cm	100cm	
Threshold Current (Typ.)	----	15mA	40mA	
Operating Current (Typ.)	----	120mA	140mA	
Operating Voltage	----	1.8V	2.5V	
Package Style	Coaxial or B82			
Photodiodes	Built-in			



**Coaxial Package View: (Part Number: WSLP-980-020m-9-PD)**

**B82 Package View: (Part Number: WSLP-980-020m-9-B-PD)**

**PIN Bottom View:**


<b>PIN 1</b>	<b>LD(-)</b>
<b>PIN 2</b>	<b>LD(+)&amp;PD(-), CASE</b>
<b>PIN 3</b>	<b>PD(+)</b>



Electrically shorten LD module and store in non-extreme conditions.  
Suggest using the constant current power supply.

