
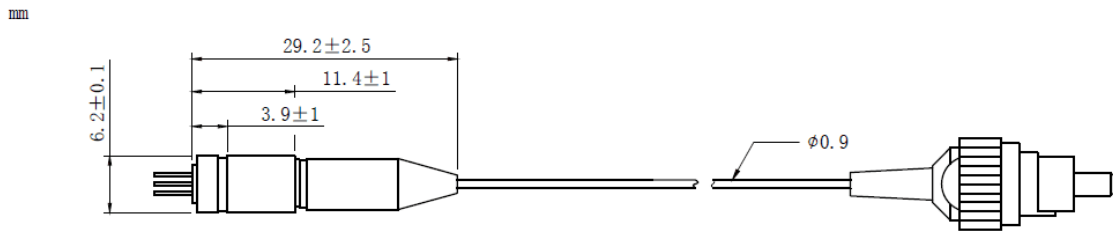
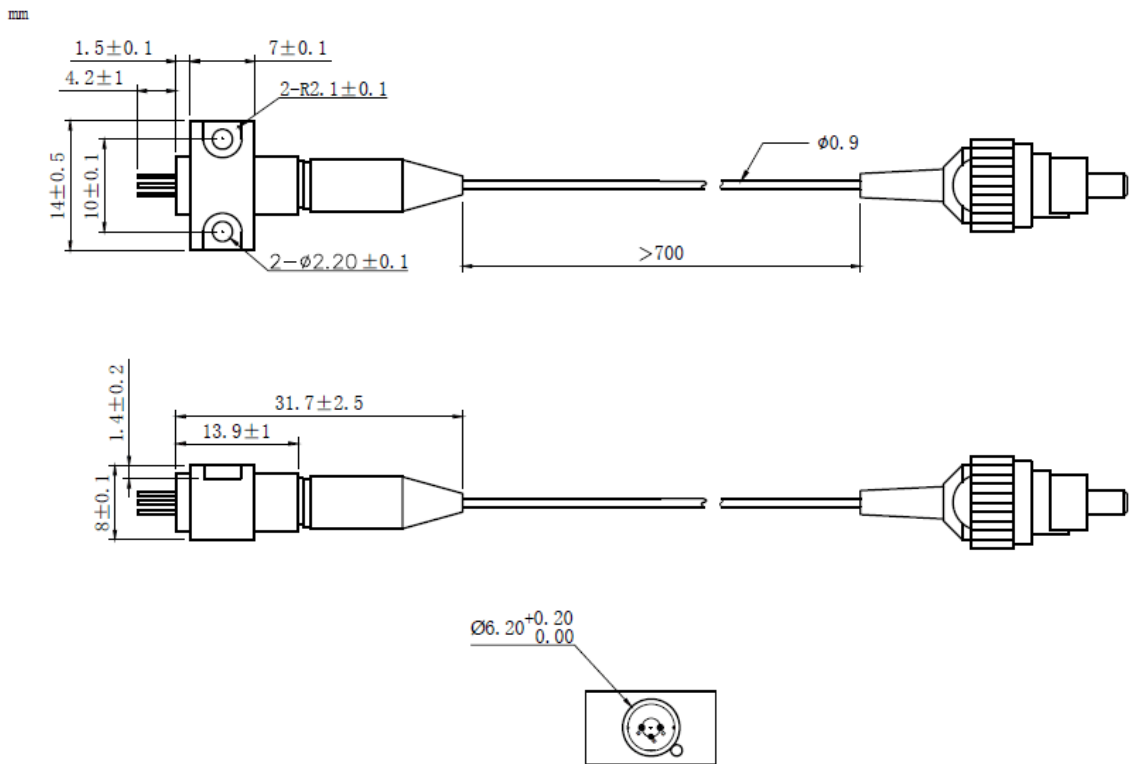
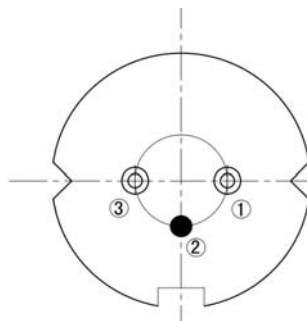


**905nm 50mW~60mW PM Fiber Coupled Laser Diode with Coaxial Package |Infrared Laser Diode
905nm~915nm 50mW Coaxial Pigtailed LD with Polarization Maintaining Fiber (SM Fiber)
WSLP-905-050m-PM-PD Wavespectrum Laser Group www.wavespectrum-laser.com**

905nm Pigtailed Diode Laser		50mW/PM Fiber		en.wavespectrum-laser.com.cn	
PARAMETER	SYMBOL	VALUE	UNIT		
Reverse Voltage	V_r	2.0		V	
Operating Temperature	T_{op}	-10~+70		°C	
Storage Temperature	T_{stg}	-40~+85		°C	
Lead soldering temperature (10 sec.)	T_{is}	260		°C	
Features: <ul style="list-style-type: none"> 905nm PM Fiber High Reliability High Polarization Extinction Ratio Applications: <ul style="list-style-type: none"> Biological Instruments Analytical Equipment Others 					
Specifications	WSLP-905-050m-PM-PD				
	Min	Type		Max	
Center Wavelength@25°C	±5nm	905nm		±10nm	
Recommended work Temperature	25°C				
Output Power	----	50mW		----	
Fiber Type	Polarization Maintaining Fiber				
Fiber Core	5um				
Polarization Extinction Ratio	13dB	15dB		----	
Monitor Current	----	0.3mA		----	
Fiber Connector	FC/APC				
Fiber Length	----	80cm		100cm	
Threshold Current (Typ.)	----	30mA		65mA	
Operating Current (Typ.)	----	220mA		240mA	
Operating Voltage	----	2.0V		2.6V	
Package Style	Coaxial or B82				
High Polarization Extinction Ratio (PER) Version Laser Module is also available, please contact us.					



Coaxial Package View: (Part Number: WSLP-905-050m-PM-PD)

B82 Package View: (Part Number: WSLP-905-050m-PM-B-PD)

PIN Bottom View:


PIN 1	LD(-)
PIN 2	LD(+)&PD(-), CASE
PIN 3	PD(+)



Electrically shorten LD module and store in non-extreme conditions.
Suggest using the constant current power supply.

