


**905nm 30mW PM Fiber Coupled Laser Diode with Coaxial Package |Infrared Laser Diode**
**905nm~915nm 30mW Coaxial Pigtailed LD with Polarization Maintaining Fiber (SM Fiber)**

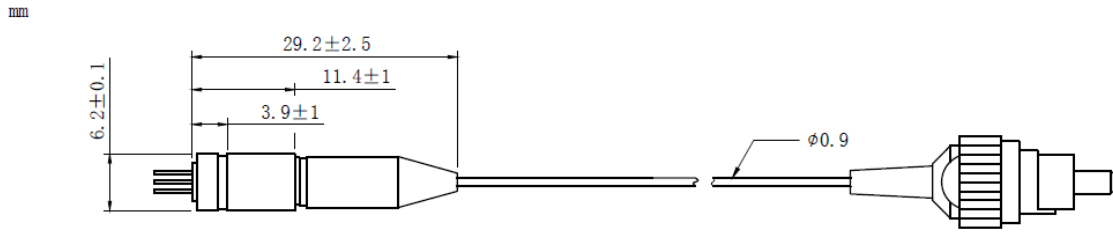
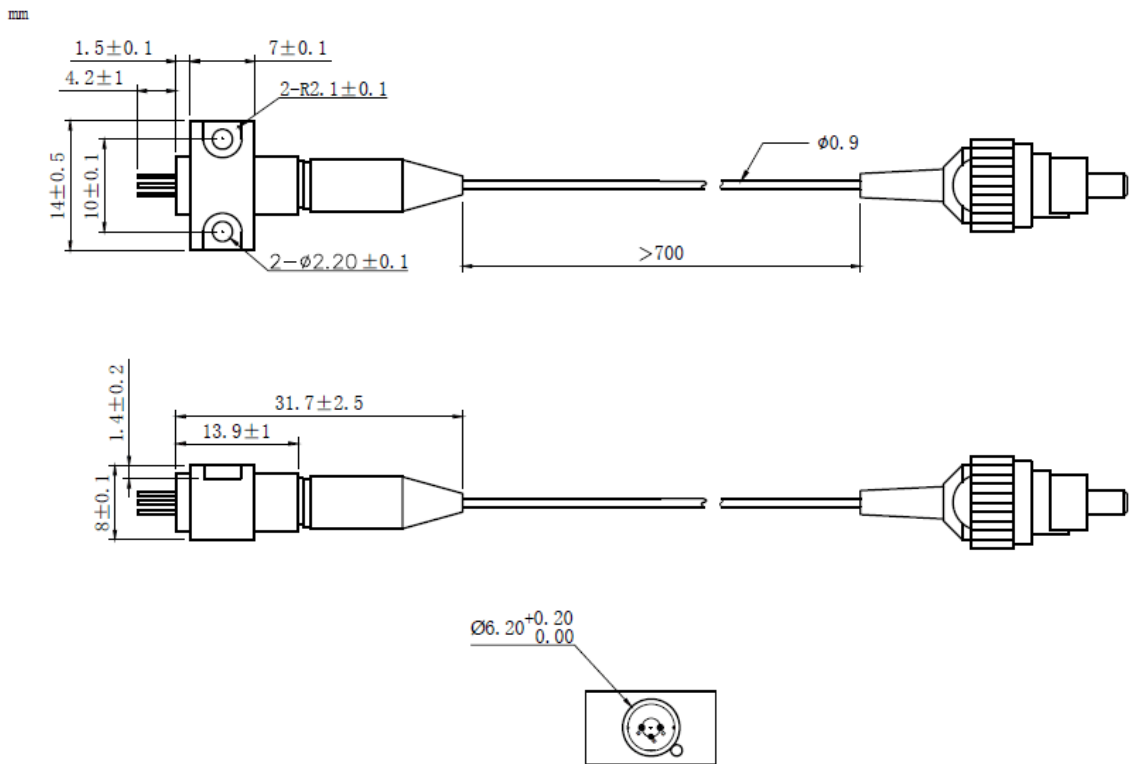
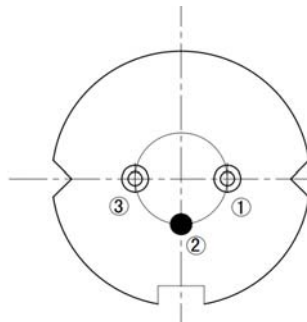
WSLP-905-030m-PM-PD

Wavespectrum Laser Group

[www.wavespectrum-laser.com](http://www.wavespectrum-laser.com)

905nm Pigtailed Diode Laser		30mW/PM Fiber		en.wavespectrum-laser.com.cn	
PARAMETER	SYMBOL	VALUE	UNIT		
Reverse Voltage	$V_r$	2.0		V	
Operating Temperature	$T_{op}$	-10~+70		°C	
Storage Temperature	$T_{stg}$	-40~+85		°C	
Lead soldering temperature (10 sec.)	$T_{is}$	260		°C	
<b>Features:</b> <ul style="list-style-type: none"> <li>905nm</li> <li>PM Fiber</li> <li>High Reliability</li> <li>High Polarization Extinction Ratio</li> </ul>					
<b>Applications:</b> <ul style="list-style-type: none"> <li>Biological Instruments</li> <li>Analytical Equipment</li> <li>Others</li> </ul>					
<b>Specifications</b>	<b>WSLP-905-030m-PM-PD</b>				
	Min	Type		Max	
Center Wavelength@25°C	±5nm	905nm		±10nm	
Recommended work Temperature	25°C				
Output Power	----	30mW		----	
Fiber Type	Polarization Maintaining Fiber				
Fiber Core	5um				
Polarization Extinction Ratio	13dB	15dB		----	
Monitor Current	----	0.3mA		----	
Fiber Connector	FC/APC				
Fiber Length	----	80cm		100cm	
Threshold Current (Typ.)	----	25mA		50mA	
Operating Current (Typ.)	----	130mA		150mA	
Operating Voltage	----	1.9V		2.4V	
Package Style	Coaxial or B82				
High Polarization Extinction Ratio (PER) Version Laser Module is also available, please contact us.					



**Coaxial Package View: (Part Number: WSLP-905-030m-PM-PD)**

**B82 Package View: (Part Number: WSLP-905-030m-PM-B-PD)**

**PIN Bottom View:**


PIN 1	LD(-)
PIN 2	LD(+)&PD(-), CASE
PIN 3	PD(+)



Electrically shorten LD module and store in non-extreme conditions.  
Suggest using the constant current power supply.

