
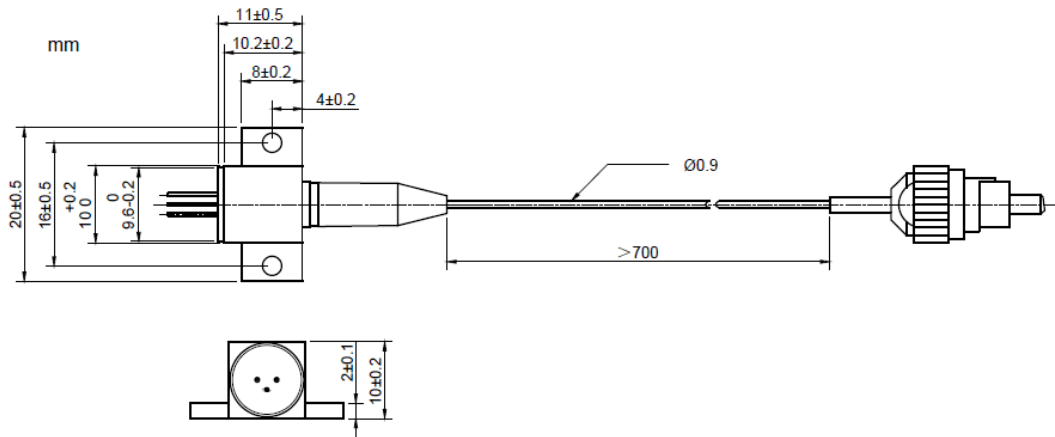
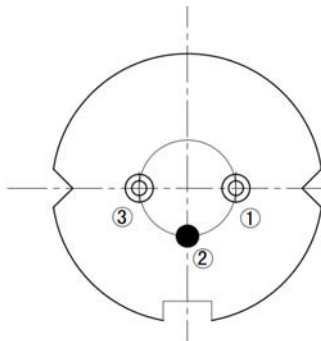


808nm~810nm 20mW SM Pigtailed Laser diode with Coaxial Package | Built-in Photodiode
808nm 20mW SM Fiber Coupled LD with Single Mode Fiber (SM Fiber) | With PD
WSLP-808-020m-4-PD
Wavespectrum Laser Group
www.wavespectrum-laser.com

| 808nm Pigtailed Diode Laser | | 20mW/SM Fiber | | en.wavespectrum-laser.com.cn |
|---|-----------|--|-------|------------------------------|
| PARAMETER | SYMBOL | VALUE | | UNIT |
| Reverse Voltage | V_r | 2.0 | | V |
| Operating Temperature | T_{op} | -10~+50 | | °C |
| Storage Temperature | T_{stg} | -40~+85 | | °C |
| Lead soldering temperature (10 sec.) | T_{is} | 260 | | °C |
| Features: <ul style="list-style-type: none"> 808nm With SM Fiber B15 Package Built-in PD | |  | | |
| Applications: <ul style="list-style-type: none"> Medical Laser Treatment Others | | | | |
| Specifications | | WSLP-808-020m-4-PD | | |
| | | Min | Type | Max |
| Center Wavelength@25°C | | ±5nm | 808nm | ±10nm |
| Recommended Operating Temperature | | 25°C | | |
| Output Power | | ---- | 20mW | ---- |
| Fiber Type | | Single Mode Fiber | | |
| Fiber Core | | 5um | | |
| Monitor Current | | ---- | 0.1mA | ---- |
| PD Reverse Voltage | | ---- | ---- | 30V |
| Fiber Connector | | FC/SC/SMA905 | | |
| Fiber Length | | ---- | 80cm | 100cm |
| Threshold Current (Typ.) | | ---- | 25mA | 55mA |
| Operating Current (Typ.) | | ---- | 110mA | 130mA |
| Operating Voltage | | ---- | 2.0V | 2.4V |
| Package Style | | B15 | | |
| PD | | Built-in | | |



B15 Package View:

PIN Bottom View:


| | |
|---|---------------|
| 1 | LD(-) |
| 2 | LD(+) & PD(-) |
| 3 | PD(+) |

Electrically shorten LD module and store in non-extreme conditions.

Suggest using the constant current power supply.

