
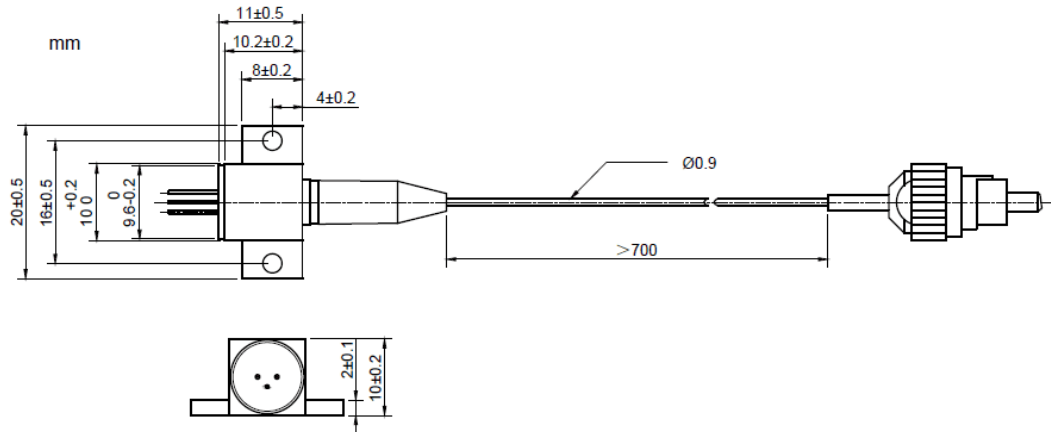
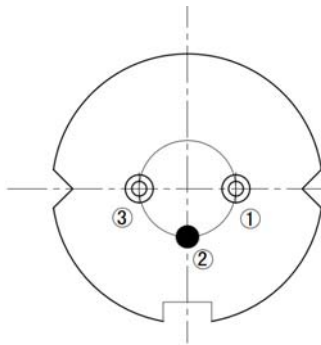


808nm~810nm 30mW 9um Pigtailed Laser Diode with Coaxial Package | Built-in Photodiode
808nm 30mW Fiber Coupled LD with 9um SM Fiber (SMF-28) | With PD
WSLP-808-030m-9-PD
Wavespectrum Laser Group
www.wavespectrum-laser.com
en.wavespectrum-laser.com.cn

808nm Pigtailed Diode Laser		30mW/9um Fiber	
PARAMETER	SYMBOL	VALUE	UNIT
Reverse Voltage	V_r	2.0	V
Operating Temperature	T_{op}	-10~+50	°C
Storage Temperature	T_{stg}	-40~+85	°C
Lead soldering temperature (10 sec.)	T_{is}	260	°C
Features: <ul style="list-style-type: none"> ● 808nm ● With 9um Fiber ● B15 Package ● Built-in PD 			
Applications: <ul style="list-style-type: none"> ● Medical Laser Treatment ● Others 			
Specifications	WSLP-808-030m-9-PD		
	Min	Type	Max
Center Wavelength@25°C	±5nm	808nm	±10nm
Recommended Operating Temperature	25°C		
Output Power	----	30mW	----
Fiber Type	SMF-28		
Fiber Core	9um		
Monitor Current	----	0.1mA	----
PD Reverse Voltage	----	----	30V
Fiber Connector	FC/SC/SMA905		
Fiber Length	----	80cm	100cm
Threshold Current (Typ.)	----	25mA	55mA
Operating Current (Typ.)	----	110mA	130mA
Operating Voltage	----	2.0V	2.4V
Package Style	B15		
PD	Built-in		



B14 Package View:

PIN Bottom View:


1	LD(-)
2	LD(+) & PD(-)
3	PD(+)

Electrically shorten LD module and store in non-extreme conditions.

Suggest using the constant current power supply.

