
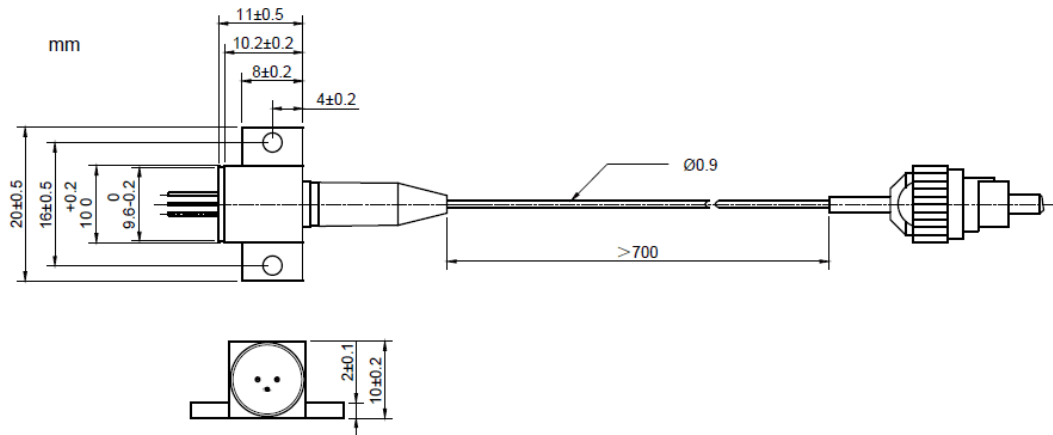
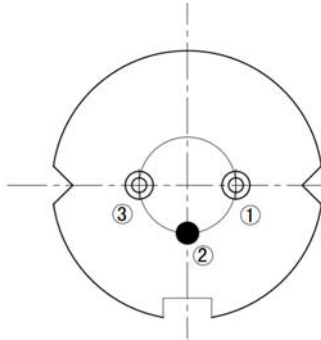


**808nm~810nm 30mW SM Coaxial Pigtailed Laser Diode with PMF | Built-in Photodiode**
**808nm 30mW SM Fiber Coupled LD with Polarization Maintaining Fiber (PM Fiber) | With PD**
**WSLP-808-030m-PM-PD**
**Wavespectrum Laser Group**
**www.wavespectrum-laser.com**

808nm Pigtailed Diode Laser		30mW/PM Fiber		Wavespectrum Laser Group	
PARAMETER	SYMBOL	VALUE		UNIT	
Reverse Voltage	$V_r$	2.0		V	
Operating Temperature	$T_{op}$	-10~+50		°C	
Storage Temperature	$T_{stg}$	-40~+85		°C	
Lead soldering temperature (10 sec.)	$T_{is}$	260		°C	
<b>Features:</b> <ul style="list-style-type: none"> <li>808nm</li> <li>With PM Fiber</li> <li>B15 Package</li> <li>Built-in PD</li> </ul>					
<b>Applications:</b> <ul style="list-style-type: none"> <li>Medical Laser Treatment</li> <li>Others</li> </ul>					
<b>Specifications</b>		<b>WSLP-808-030m-PM-PD</b>			
		Min	Type	Max	
Center Wavelength@25°C		±5nm	808nm	±10nm	
Recommended Operating Temperature		25°C			
Output Power		----	30mW	----	
Fiber Type		Polarization Maintaining Fiber			
Fiber Core		5um			
Polarization Extinction Ratio		13dB	15dB	----	
Monitor Current		----	0.1mA	----	
Fiber Connector		FC/APC			
Fiber Length		----	80cm	100cm	
Threshold Current (Typ.)		----	30mA	60mA	
Operating Current (Typ.)		----	140mA	160mA	
Operating Voltage		----	2.2V	2.6V	
Package Style		B15			
High Polarization Extinction Ratio (PER) Version Laser Module is also available, please contact us.					



**B15 Package View:**

**PIN Bottom View:**


1	LD(-)
2	LD(+)&PD(-)
3	PD(+)

Electrically shorten LD module and store in non-extreme conditions.  
 Suggest using the constant current power supply.

