
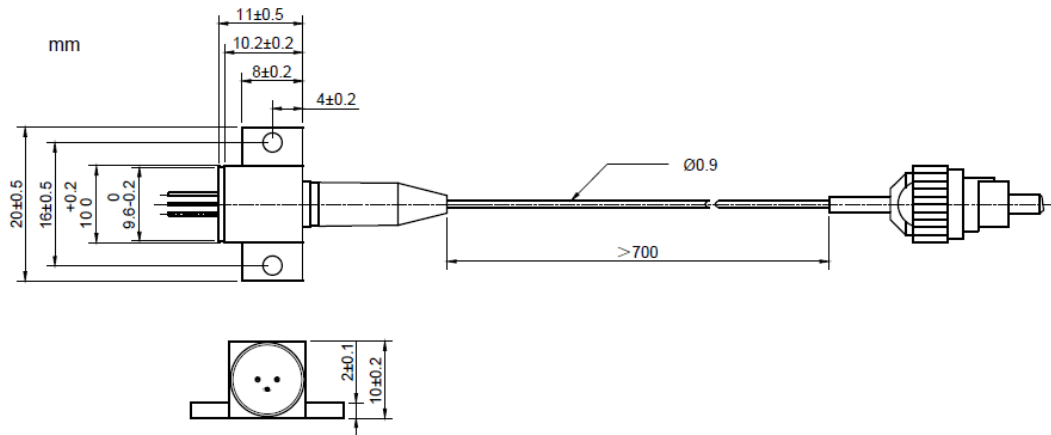
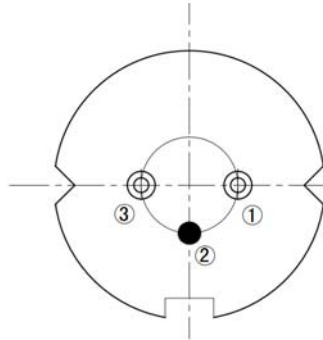


808nm~810nm 40mW SM Coaxial Pigtailed Laser Diode with PMF | Built-in Photodiode
808nm 40mW SM Fiber Coupled LD with Polarization Maintaining Fiber (PM Fiber) | With PD
WSLP-808-040m-PM-PD
Wavespectrum Laser Group
www.wavespectrum-laser.com

808nm Pigtailed Diode Laser		40mW/PM Fiber		Wavespectrum Laser Group	
PARAMETER	SYMBOL	VALUE		UNIT	
Reverse Voltage	V_r	2.0		V	
Operating Temperature	T_{op}	-10~+50		°C	
Storage Temperature	T_{stg}	-40~+85		°C	
Lead soldering temperature (10 sec.)	T_{is}	260		°C	
Features: <ul style="list-style-type: none"> 808nm With PM Fiber B15 Package Built-in PD 					
Applications: <ul style="list-style-type: none"> Medical Laser Treatment Others 					
Specifications		WSLP-808-040m-PM-PD			
		Min	Type	Max	
Center Wavelength@25°C		±5nm	808nm	±10nm	
Recommended Operating Temperature		25°C			
Output Power		----	40mW	----	
Fiber Type		Polarization Maintaining Fiber			
Fiber Core		5um			
Polarization Extinction Ratio		13dB	15dB	----	
Monitor Current		----	0.1mA	----	
Fiber Connector		FC/APC			
Fiber Length		----	80cm	100cm	
Threshold Current (Typ.)		----	30mA	65mA	
Operating Current (Typ.)		----	160mA	180mA	
Operating Voltage		----	2.3V	2.8V	
Package Style		B15			
High Polarization Extinction Ratio (PER) Version Laser Module is also available, please contact us.					



B15 Package View:

PIN Bottom View:


1	LD(-)
2	LD(+)&PD(-)
3	PD(+)

Electrically shorten LD module and store in non-extreme conditions.
 Suggest using the constant current power supply.

