
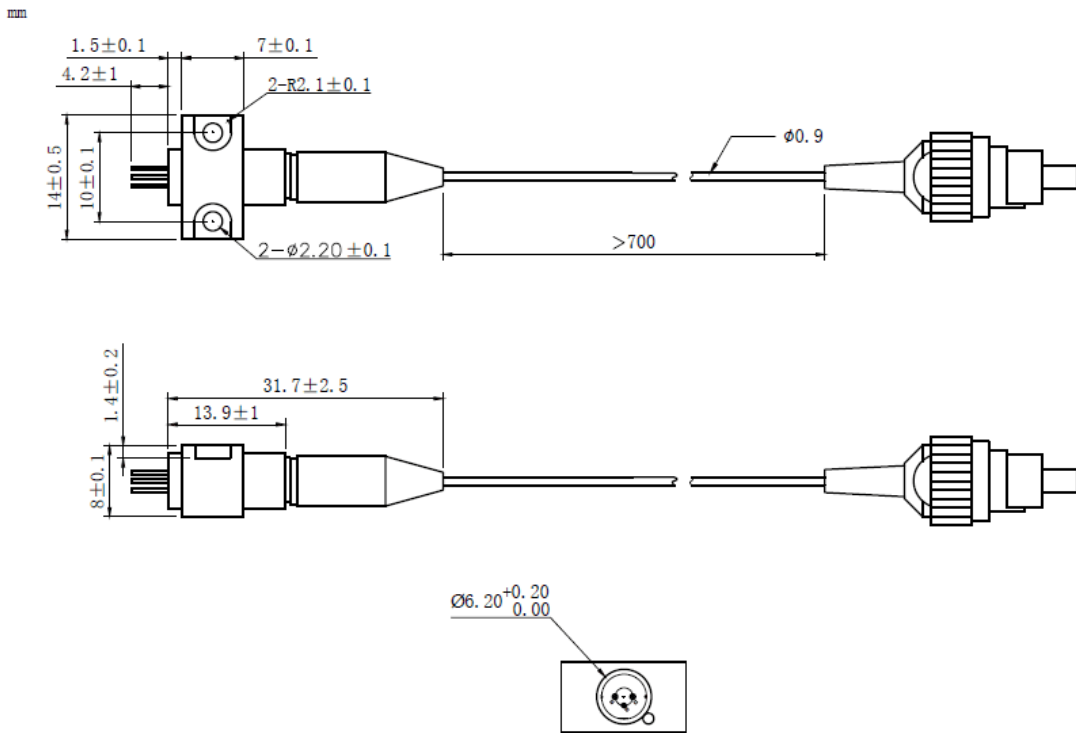
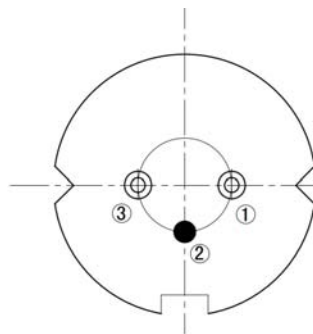


785nm 5mW~10mW SM Coaxial Pigtailed Laser Diode Module with SMF | Built-in PD | Heat-sink Optional
780nm~785nm 5mW SM Fiber Coupled LD with Single Mode Fiber (SM Fiber)
WSLP-785-005m-4-PD
Wavespectrum Laser Group
www.wavespectrum-laser.com

785nm Pigtailed Diode Laser		5mW/SM Fiber		en.wavespectrum-laser.com.cn	
PARAMETER	SYMBOL	VALUE		UNIT	
Reverse Voltage	V_r	2.0		V	
Operating Temperature	T_{op}	-10~+60		°C	
Storage Temperature	T_{stg}	-40~+85		°C	
Lead soldering temperature (10 sec.)	T_{is}	260		°C	
Features: <ul style="list-style-type: none"> ● 785nm ● SM Fiber ● Coaxial or B82 Package ● Built-in PD 					
Applications: <ul style="list-style-type: none"> ● Medical Laser Treatment ● Others 					
Specifications		WSLP-785-005m-4-PD			
	Min	Type	Max		
Center Wavelength@25°C	±5nm	785nm	±15nm		
Recommended Operating Temperature	25°C				
Output Power	----	5mW	----		
Fiber Type	Single Mode Fiber				
Fiber Core	5um				
Monitor Current	----	0.5mA	----		
PD Reverse Voltage	----	----	30V		
Fiber Connector	FC/SC/SMA905				
Fiber Length	----	80cm	100cm		
Threshold Current (Typ.)	----	10mA	30mA		
Operating Current (Typ.)	----	40mA	60mA		
Operating Voltage	----	1.9V	2.4V		
Package Style	Coaxial or B82				
PD	Built-in				



Coaxial Package View: (Part Number: WSLP-785-005m-4-PD)

B82 Package View: (Part Number: WSLP-785-005m-4-B-PD)

PIN Bottom View:


1	LD(-)
2	LD(+)&PD(-)
3	PD(+)



Electrically shorten LD module and store in non-extreme conditions.
Suggest using the constant current power supply.

