


785nm 30mW SM Pigtailed Laser Diode Module with Coaxial Package| Built-in PD| Heat-sink Optional

780nm~785nm 30mW Single Mode Fiber Coupled Diode Laser Module | Infrared LD Module

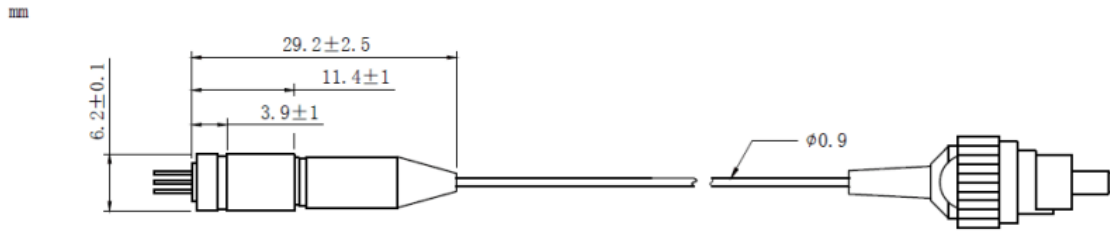
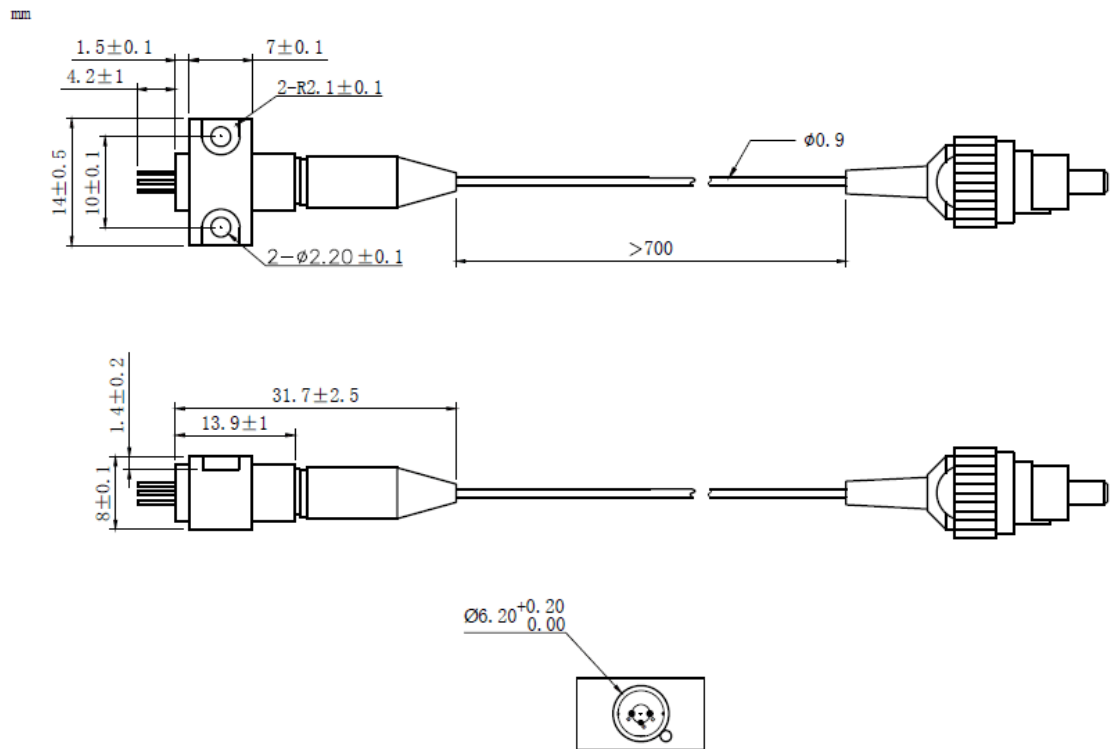
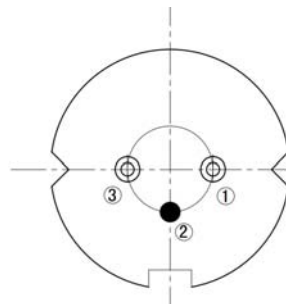
WSLP-785-030m-4-PD

Wavespectrum Laser Group

www.wavespectrum-laser.com

785nm Pigtailed Diode Laser		30mW/SM Fiber		en.wavespectrum-laser.com.cn	
PARAMETER	SYMBOL	VALUE		UNIT	
Reverse Voltage	V_r	2.0		V	
Operating Temperature	T_{op}	-10~+60		°C	
Storage Temperature	T_{stg}	-40~+85		°C	
Lead soldering temperature (10 sec.)	T_{is}	260		°C	
Features: <ul style="list-style-type: none"> ● 785nm ● SM Fiber ● Coaxial or B82 Package ● Built-in PD 					
Applications: <ul style="list-style-type: none"> ● Medical Laser Treatment ● Others 					
Specifications		WSLP-785-030m-4-PD			
	Min	Type	Max		
Center Wavelength@25°C	±5nm	785nm	±10nm		
Recommend Operating Temperature	25°C				
Output Power	----	30mW	----		
Fiber Type	Single Mode Fiber				
Fiber Core	5um				
Monitor Current	----	0.3mA	----		
PD Reverse Voltage	----	----	30V		
Fiber Connector	FC/SC/SMA905				
Fiber Length	----	80cm	100cm		
Threshold Current (Typ.)	----	35mA	55mA		
Operating Current (Typ.)	----	120mA	140mA		
Operating Voltage	----	2.2V	2.6V		
Package Style	Coaxial or B82				
PD	Built-in				



Coaxial Package View: (Part Number: WSLP-785-030m-4-PD)

B82 Package View: (Part Number: WSLP-785-030m-4-B-PD)

PIN Bottom View:


1	LD(-)
2	LD(+)&PD(-)
3	PD(+)



Electrically shorten LD module and store in non-extreme conditions.
Suggest using the constant current power supply.

