


685nm~690nm 15mW Single Mode Coaxial Pigtailed Laser Diode with SMF | Built-in PD

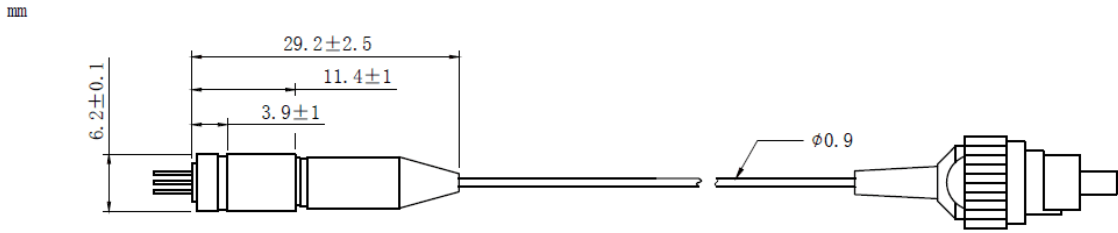
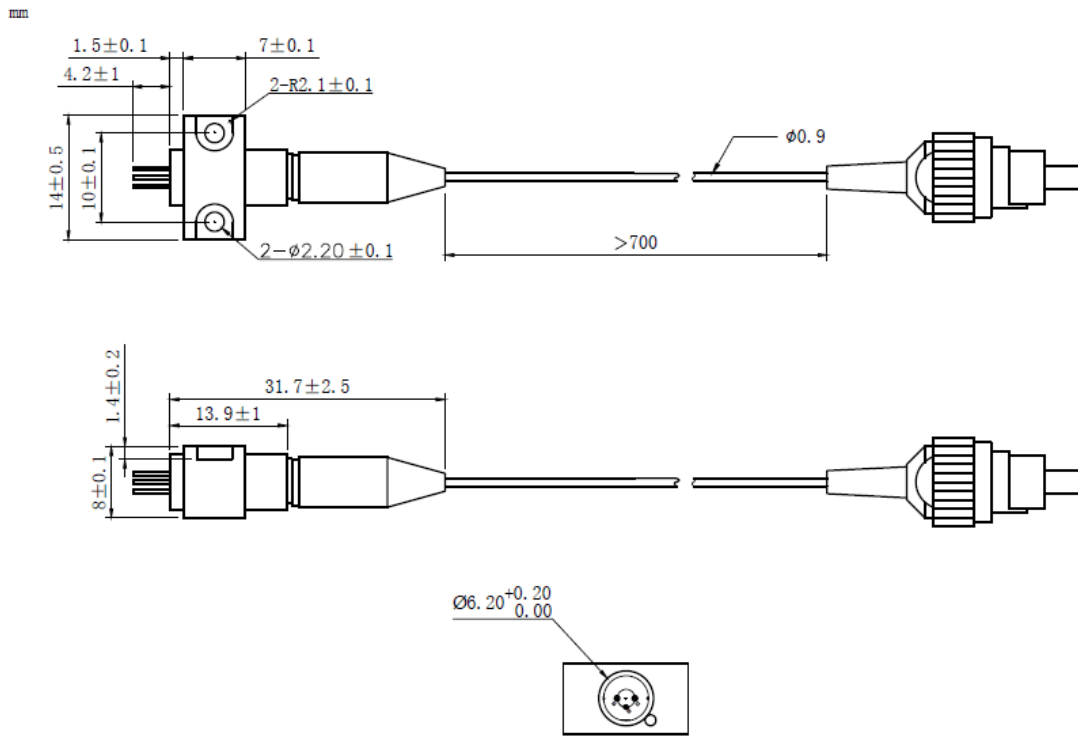
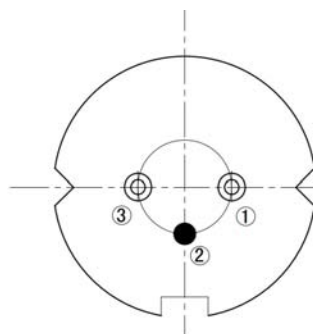
680nm~685nm 15mW SM Fiber Coupled LD with Single Mode Fiber (SM Fiber) |4um SMF | With Photodiode  
 WSLP-685-015m-4-PD

Wavespectrum Laser Group

www.wavespectrum-laser.com

685nm Pigtailed Diode Laser		15mW/SM Fiber		Wavespectrum Laser Group	
PARAMETER	SYMBOL	VALUE		UNIT	
Reverse Voltage	$V_r$	2.0		V	
Operating Temperature	$T_{op}$	-10~+60		°C	
Storage Temperature	$T_{stg}$	-40~+85		°C	
Lead soldering temperature (10 sec.)	$T_{is}$	260		°C	
<b>Features:</b> <ul style="list-style-type: none"> <li>685nm</li> <li>With SM Fiber</li> <li>Coaxial or B82 Package</li> <li>Built-in PD</li> </ul>					
<b>Applications:</b> <ul style="list-style-type: none"> <li>Medical Laser Treatment</li> <li>Others</li> </ul>					
<b>Specifications</b>		<b>WSLP-685-015m-4-PD</b>			
	Min	Type	Max		
Center Wavelength@25°C	±5nm	685nm	±15nm		
Recommended Operating Temperature	25°C				
Output Power	----	15mW	----		
Fiber Type	Single Mode Fiber				
Fiber Core	4um				
Monitor Current	----	0.3mA	----		
PD Reverse Voltage	----	----	30V		
Fiber Connector	FC/SC/SMA905				
Fiber Length	----	80cm	100cm		
Threshold Current (Typ.)	----	30mA	60mA		
Operating Current (Typ.)	----	100mA	120mA		
Operating Voltage	----	2.7V	3.0V		
Package Style	Coaxial or B82				
Photodiodes	Built-in				



**Coaxial Package View: (Part Number: WSLP-685-015m-4-PD)**

**B82 Package View: (Part Number: WSLP-685-015m-4-B-PD)**

**PIN Bottom View:**


<b>1</b>	<b>LD(-)</b>
<b>2</b>	<b>LD(+)&amp; PD(-)</b>
<b>3</b>	<b>PD(+)</b>



Electrically shorten LD module and store in non-extreme conditions.  
Suggest using the constant current power supply.

