


685nm~690nm 20mW Single Mode Coaxial Pigtailed Laser Diode with SMF | Built-in PD

685nm SM Fiber Coupled LD with Single Mode Fiber (SM Fiber) |4um SMF | With Photodiode

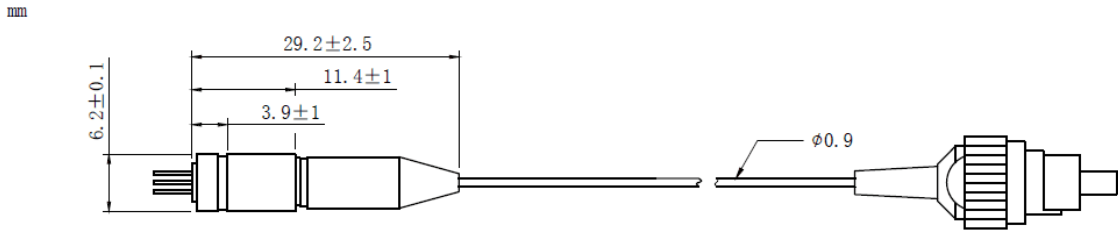
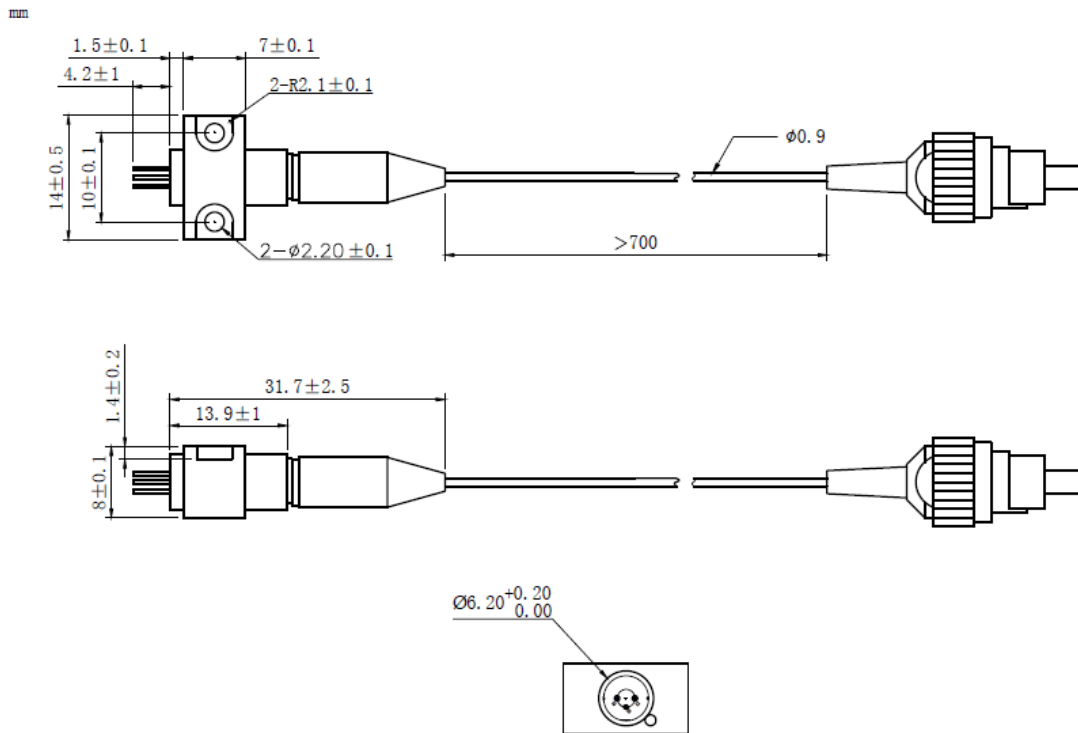
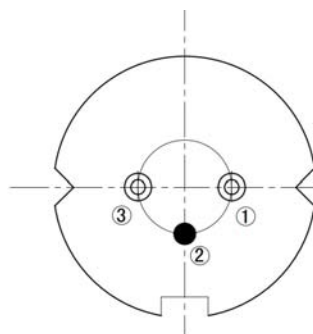
WSLP-685-020m-4-PD

Wavespectrum Laser Group

www.wavespectrum-laser.com

685nm Pigtailed Diode Laser		20mW/SM Fiber		Wavespectrum Laser Group	
PARAMETER	SYMBOL	VALUE		UNIT	
Reverse Voltage	V_r	2.0		V	
Operating Temperature	T_{op}	-10~+60		°C	
Storage Temperature	T_{stg}	-40~+85		°C	
Lead soldering temperature (10 sec.)	T_{is}	260		°C	
Features: <ul style="list-style-type: none"> • 685nm • With SM Fiber • Coaxial or B82 Package • Built-in PD 					
Applications: <ul style="list-style-type: none"> • Medical Laser Treatment • Others 					
Specifications		WSLP-685-020m-4-PD			
		Min	Type	Max	
Center Wavelength@25°C		±5nm	685nm	±15nm	
Recommended Operating Temperature		25°C			
Output Power		----	20mW	----	
Fiber Type		Single Mode Fiber			
Fiber Core		4um			
Monitor Current		----	0.3mA	----	
PD Reverse Voltage		----	----	30V	
Fiber Connector		FC/SC/SMA905			
Fiber Length		----	80cm	100cm	
Threshold Current (Typ.)		----	35mA	60mA	
Operating Current (Typ.)		----	100mA	120mA	
Operating Voltage		----	2.7V	3.0V	
Package Style		Coaxial or B82			
Photodiodes		Built-in			



Coaxial Package View: (Part Number: WSLP-685-020m-4-PD)

B82 Package View: (Part Number: WSLP-685-020m-4-B-PD)

PIN Bottom View:


1	LD(-)
2	LD(+)& PD(-)
3	PD(+)



Electrically shorten LD module and store in non-extreme conditions.
Suggest using the constant current power supply.

