
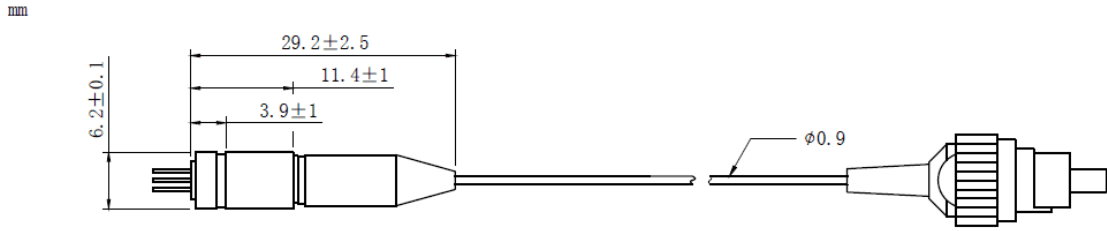
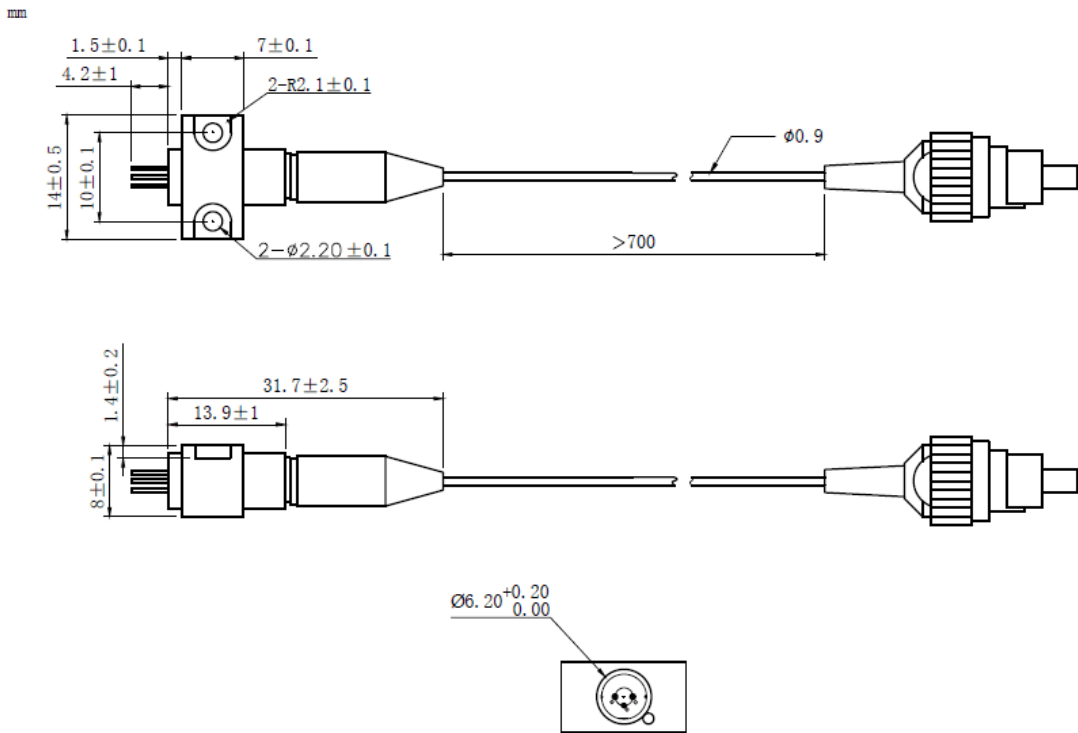
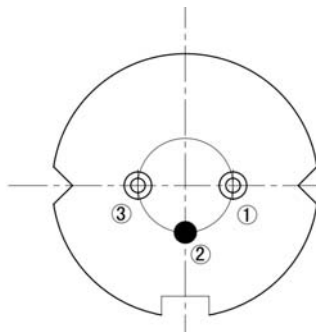


658nm~660nm 5mW SM Coaxial Pigtailed Laser Diode with SMF | Built-in Photodiodes (PD)
660nm 5mW SM Fiber Coupled LD with Single Mode Fiber (SM Fiber) |With PD
WSLP-650-005m-4-PD
Wavespectrum Laser Group
www.wavespectrum-laser.com

658nm Pigtailed Diode Laser		5mW/SM Fiber		en.wavespectrum-laser.com.cn	
PARAMETER	SYMBOL	VALUE		UNIT	
Reverse Voltage	V_r	2.0		V	
Operating Temperature	T_{op}	-10~+60		°C	
Storage Temperature	T_{stg}	-40~+85		°C	
Lead soldering temperature (10 sec.)	T_{is}	260		°C	
Features: <ul style="list-style-type: none"> 🔸 650nm 🔸 4um SM Fiber 🔸 Coaxial or B82 Package 🔸 Built-in PD 					
Applications: <ul style="list-style-type: none"> 🔸 Medical Laser Treatment 🔸 Others 					
Specifications	WSLP-650-005m-4-PD				
	Min	Type	Max		
Center Wavelength@25°C	650nm	658nm	670nm		
Recommend Operating Temperature	25°C				
Output Power	----	5mW	----		
Fiber Type	Single Mode Fiber				
Fiber Core	4um				
Monitor Current	----	0.3mA	----		
PD Reverse Voltage	----	----	30V		
Fiber Connector	FC/SC/SMA905				
Fiber Length	----	80cm	100cm		
Threshold Current	----	35mA	60mA		
Operating Current	----	80mA	100mA		
Operating Voltage	----	2.6V	3.0V		
Package Style	Coaxial or B82				
Photodiodes	Built-in				



Coaxial Package View: (Part Number: WSLP-650-005m-4-PD)

B82 Package View: (Part Number: WSLP-650-005m-4-B-PD)

PIN Bottom View:


1	LD(-)
2	LD(+)&PD(-)
3	PD(+)



Electrically shorten LD module and store in non-extreme conditions.
Suggest using the constant current power supply.

