
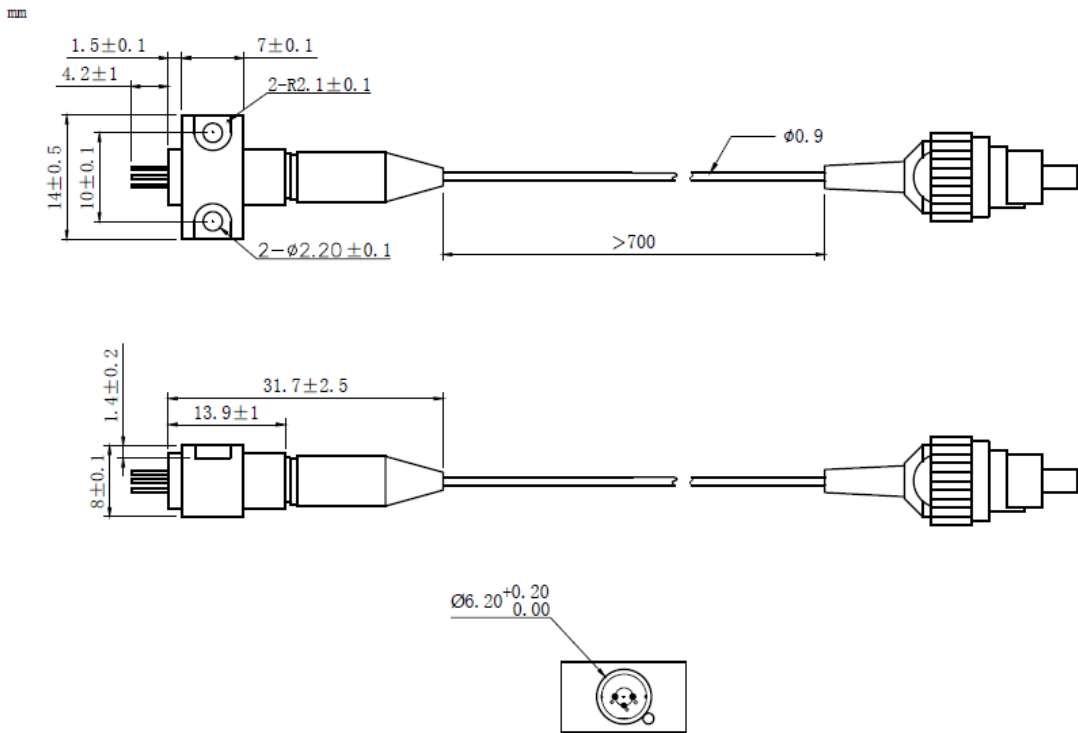
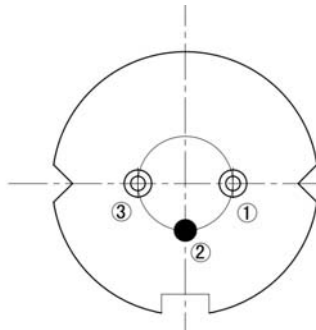


**650nm~660nm 20mW SM Coaxial Pigtailed Laser Diode with SMF | Built-in Photodiodes (PD)**
**658nm SM Fiber Coupled LD with Single Mode Fiber (SM Fiber) |With PD**
**WSLP-650-020m-4-PD**
**Wavespectrum Laser Group**
**www.wavespectrum-laser.com**

658nm Pigtailed Diode Laser		20mW/SM Fiber		en.wavespectrum-laser.com.cn	
PARAMETER	SYMBOL	VALUE		UNIT	
Reverse Voltage	$V_r$	2.0		V	
Operating Temperature	$T_{op}$	-10~+60		°C	
Storage Temperature	$T_{stg}$	-40~+85		°C	
Lead soldering temperature (10 sec.)	$T_{is}$	260		°C	
<b>Features:</b> <ul style="list-style-type: none"> <li>🔸 650nm</li> <li>🔸 4um SM Fiber</li> <li>🔸 Coaxial or B82 Package</li> <li>🔸 Built-in PD</li> </ul>					
<b>Applications:</b> <ul style="list-style-type: none"> <li>🔸 Medical Laser Treatment</li> <li>🔸 Others</li> </ul>					
<b>Specifications</b>	<b>WSLP-650-020m-4-PD</b>				
	Min	Type	Max		
Center Wavelength@25°C	650nm	658nm	670nm		
Recommend Operating Temperature	25°C				
Output Power	----	20mW	----		
Fiber Type	Single Mode Fiber				
Fiber Core	4um				
Monitor Current	----	0.3mA	----		
PD Reverse Voltage	----	----	30V		
Fiber Connector	FC/SC/SMA905				
Fiber Length	----	80cm	100cm		
Threshold Current	----	45mA	70mA		
Operating Current	----	100mA	120mA		
Operating Voltage	----	2.7V	3.2V		
Package Style	Coaxial or B82				
Photodiodes	Built-in				



**Coaxial Package View: (Part Number: WSLP-650-020m-4-PD)**

**B82 Package View: (Part Number: WSLP-650-020m-4-B-PD)**

**PIN Bottom View:**


<b>1</b>	<b>LD(-)</b>
<b>2</b>	<b>LD(+)&amp;PD(-)</b>
<b>3</b>	<b>PD(+)</b>



Electrically shorten LD module and store in non-extreme conditions.  
Suggest using the constant current power supply.

