
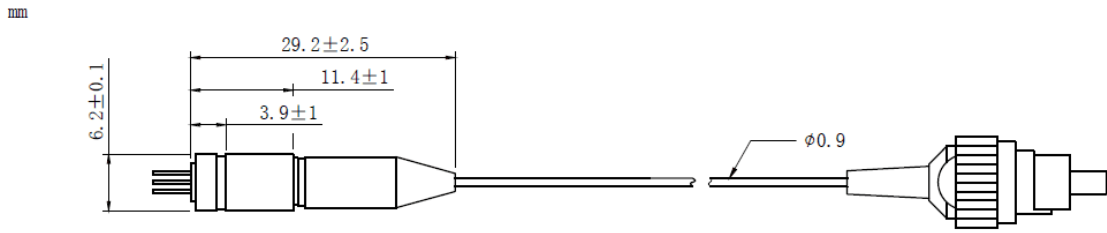
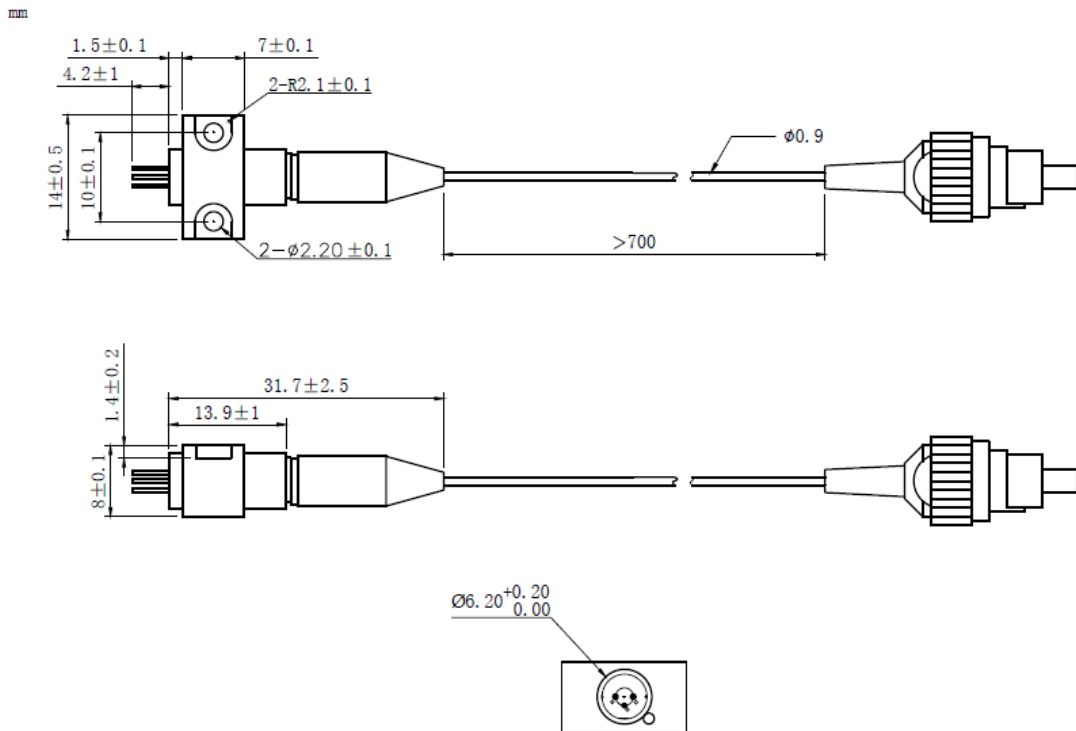
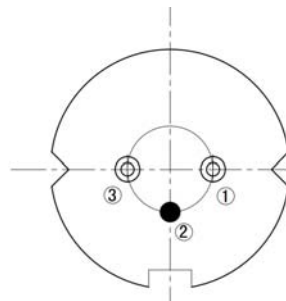


**650nm~660nm 80mW SM Fiber Coupled Laser Diode with 4um Single Mode Fiber**
**658nm 80mW High Power Pigtailed Diode Laser with Coaxial Package | High Power SM Red LD Module**
**WSLP-650-080m-4**
**Wavespectrum Laser Group**
**www.wavespectrum-laser.com**

650nm Pigtailed Diode Laser		80mW/SM Fiber		Wavespectrum Laser Group	
PARAMETER	SYMBOL	VALUE		UNIT	
Reverse Voltage	$V_r$	2.0		V	
Operating Temperature	$T_{op}$	-10~+60		°C	
Storage Temperature	$T_{stg}$	-40~+85		°C	
Lead soldering temperature (10 sec.)	$T_{is}$	260		°C	
<b>Features:</b> <ul style="list-style-type: none"> <li>650nm</li> <li>Single Mode Fiber</li> <li>Coaxial or B82 Package</li> </ul>					
<b>Applications:</b> <ul style="list-style-type: none"> <li>Medical Laser Treatment</li> <li>Other</li> </ul>					
<b>Specifications</b>		<b>WSLP-650-080m-4</b>			
	Min	Type	Max		
Center Wavelength@25°C	±5nm	658nm	±10nm		
Spectral Width (FWHM)	----	2.0nm	----		
Output Power	----	80mW	----		
Fiber Type	Single Mode Fiber				
Fiber Core	4um				
Recommend Operating Temperature	25°C				
Fiber Connector	FC/SC/SMA905				
Fiber Length	----	80cm	100cm		
Threshold Current	----	55mA	80mA		
Operating Current	----	210mA	230mA		
Operating Voltage	----	2.8V	3.5V		
Package Style	Coaxial or B82				



**Coaxial Package View: (Part Number: WSLP-650-080m-4)**

**B82 Package View: (Part Number: WSLP-650-080m-4-B)**

**PIN Bottom View:**


<b>1</b>	<b>LD(+)</b>
<b>2</b>	<b>LD(-)</b>
<b>3</b>	<b>NC</b>



Electrically shorten LD module and store in non-extreme conditions.  
Suggest using the constant current power supply.

