


650nm~660nm 100mW High Power Fiber Coupled Diode Laser with SMF28 Fiber (9um Fiber core)

658nm 100mW Coaxial Pigtailed LD with 9um Fiber | Red Laser Module for Aiming Beam

WSLP-650-100m-9

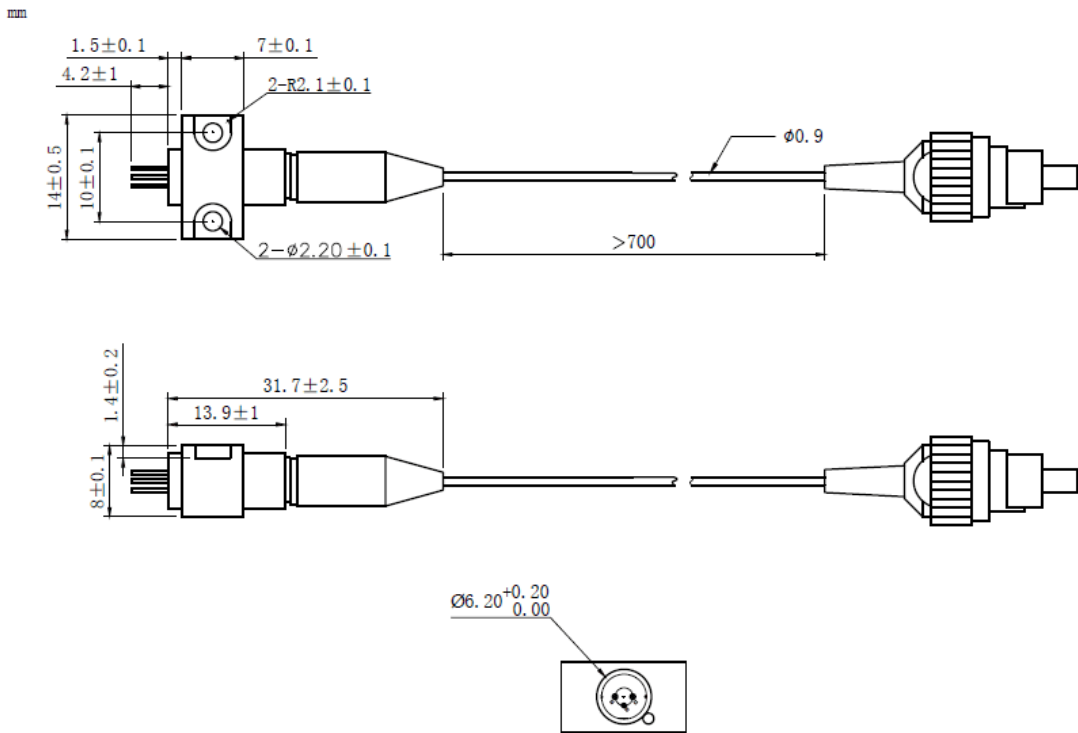
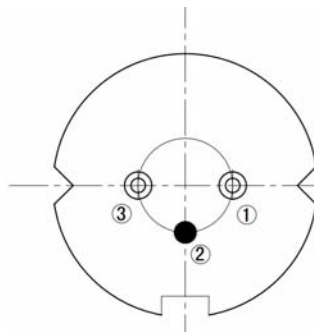
Wavespectrum Laser Group

www.wavespectrum-laser.com

650nm Pigtailed Diode Laser		100mW/9um		en.wavespectrum-laser.com.cn	
PARAMETER	SYMBOL	VALUE		UNIT	
Reverse Voltage	V_r	2.0		V	
Operating Temperature	T_{op}	-10~+60		°C	
Storage Temperature	T_{stg}	-40~+85		°C	
Lead soldering temperature (10 sec.)	T_{is}	260		°C	
Features: <ul style="list-style-type: none"> 650nm With 9um Fiber Coaxial or B82 Package 					
Applications: <ul style="list-style-type: none"> Medical Laser Treatment Other 					
Specifications	WSLP-650-100m-9				
	Min	Type	Max		
Center Wavelength@25°C	±5nm	658nm	±10nm		
Spectral Width (FWHM)	----	2.0nm	----		
Output Power	----	100mW	----		
Fiber Type	SMF-28				
Fiber Core	9um				
Recommended Operating Temperature	25°C				
Fiber Connector	FC/SC/SMA905				
Fiber Length	----	80cm	100cm		
Threshold Current	----	55mA	85mA		
Operating Current	----	220mA	240mA		
Operating Voltage	----	2.8V	3.5V		
Package Style	Coaxial or B82				



Coaxial Package View: (Part Number: WSLP-650-100m-9)

B82 Package View: (Part Number: WSLP-650-100m-9-B)

PIN Bottom View:


1	LD(+)
2	LD(-)
3	NC



Electrically shorten LD module and store in non-extreme conditions.
Suggest using the constant current power supply.

