


635nm 1mW~2mW SM Fiber Coupled LD with SMF | Built-in Photodiode
635nm~638nm Coaxial Pigtail SM Laser Diode with Single Mode Fiber (SM Fiber) | Built-in PD

WSLP-635-001m-4-PD

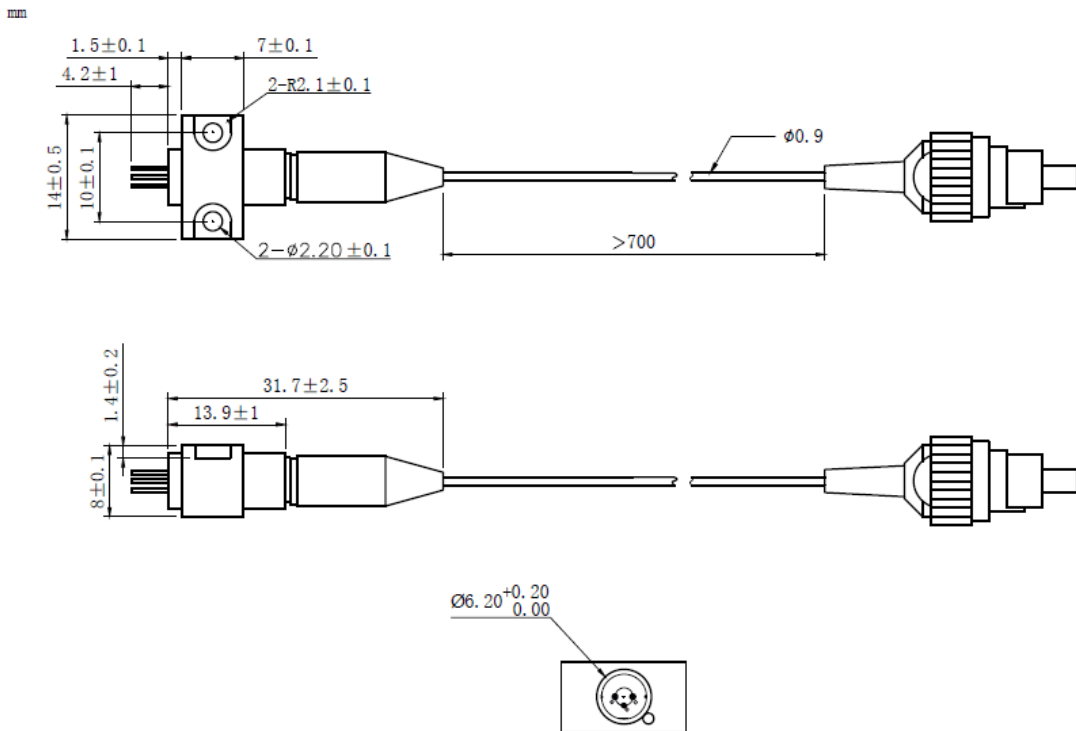
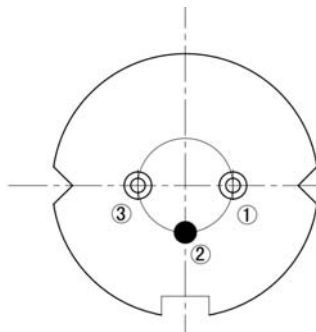
Wavespectrum Laser Group

www.wavespectrum-laser.com

635nm Pigtailed Diode Laser		1mW/SM Fiber		en.wavespectrum-laser.com.cn	
PARAMETER	SYMBOL	VALUE	UNIT		
Reverse Voltage	V_r	2.0	V		
Operating Temperature	T_{op}	-10~+50	°C		
Storage Temperature	T_{stg}	-40~+85	°C		
Lead soldering temperature (10 sec.)	T_{is}	260	°C		
Features: <ul style="list-style-type: none"> ● 635nm ● SM Fiber ● Coaxial or B82 Package ● Built-in PD 					
Applications: <ul style="list-style-type: none"> ● Medical Laser Treatment ● Aiming Beam ● Others 					
Specifications	WSLP-635-001m-4-PD				
	Min	Type	Max		
Center Wavelength@25°C	630nm	635nm	645nm		
Recommended work Temperature	25°C				
Output Power	1mW	----	----		
Fiber Type	Single Mode Fiber				
Fiber Core	4um				
Monitor Current	----	0.2mA	----		
PD Reverse Voltage	----	----	30V		
Fiber Connector	FC/SC/SMA905				
Fiber Length	----	80cm	100cm		
Threshold Current	----	30mA	45mA		
Operating Current	----	65mA	75mA		
Operating Voltage	----	2.4V	3.0V		
Package Style	Coaxial or B82				
Photodiode	Built-in				



Coaxial Package View: (Part Number: WSLP-635-001m-4-PD)

B82 Package View: (Part Number: WSLP-635-001m-4-B-PD)

PIN Bottom View:


1	LD(-)
2	LD(+)&PD(-)
3	PD(+)



Electrically shorten LD module and store in non-extreme conditions.
Suggest using the constant current power supply.

