


**635nm 20mW Single Mode Fiber Coupled Laser Diode with 4um SMF | Red Laser Diode  
 635nm~638nm 20mW Coaxial Pigtailed LD with Single Mode Fiber (SM Fiber)**

WSLP-635-020m-4

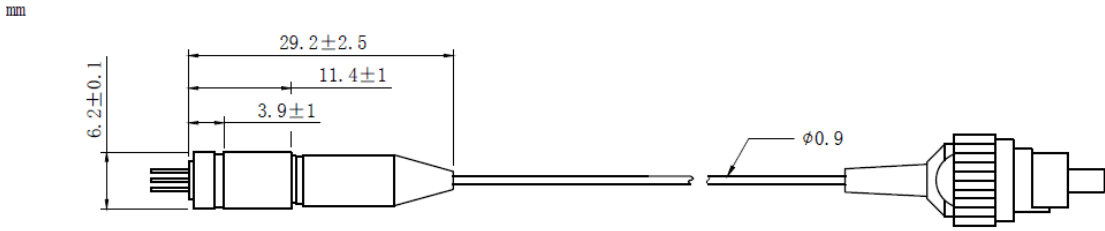
Wavespectrum Laser Group

[www.wavespectrum-laser.com](http://www.wavespectrum-laser.com)

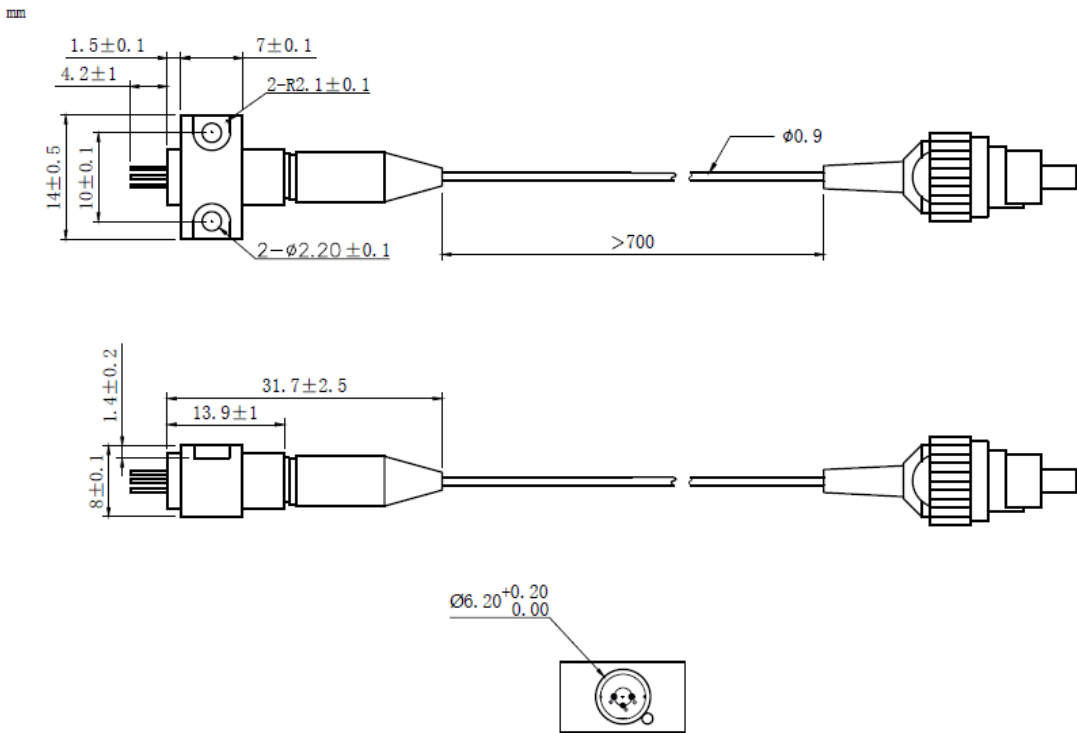
635nm Pigtailed Diode Laser		20mW/SM Fiber		en.wavespectrum-laser.com.cn	
PARAMETER	SYMBOL	VALUE		UNIT	
Reverse Voltage	$V_r$	2.0		V	
Operating Temperature	$T_{op}$	-10~+60		°C	
Storage Temperature	$T_{stg}$	-40~+85		°C	
Lead soldering temperature (10 sec.)	$T_{is}$	260		°C	
<b>Features:</b> <ul style="list-style-type: none"> <li>● 635nm</li> <li>● SM Fiber</li> <li>● Coaxial or B82 Package</li> </ul>					
<b>Applications:</b> <ul style="list-style-type: none"> <li>● Medical Laser Treatment</li> <li>● Aiming Beam</li> <li>● Others</li> </ul>					
<b>Specifications</b>	<b>WSLP-635-020m-4</b>				
	Min	Type	Max		
Center Wavelength@25°C	630nm	638nm	645nm		
Recommended work Temperature	25°C				
Output Power	----	20mW	----		
Fiber Type	Single Mode Fiber				
Fiber Core	4um				
Monitor Current	----	----	----		
PD Reverse Voltage	----	----	----		
Fiber Connector	FC/SC/SMA905				
Fiber Length	----	80cm	100cm		
Threshold Current	----	50mA	70mA		
Operating Current	----	160mA	180mA		
Operating Voltage	----	2.7V	3.0V		
Package Style	Coaxial or B82				



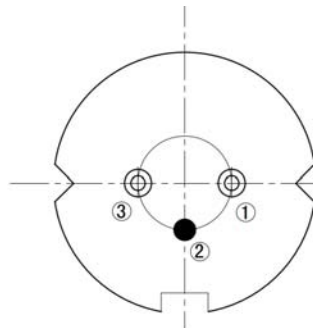
**Coaxial Package View: (Part Number: WSLP-635-020m-4)**



**B82 Package View: (Part Number: WSLP-635-020m-4-B)**



**PIN Bottom View:**



<b>1</b>	<b>LD(+)</b>
<b>2</b>	<b>GND</b>
<b>3</b>	<b>LD(-)</b>



Electrically shorten LD module and store in non-extreme conditions.  
Suggest using the constant current power supply.

