


**635nm 30mW SM Fiber Coupled Laser Diode with 4um SMF | Red Laser Diode
 635nm~638nm 30mW Coaxial Pigtailed LD with Single Mode Fiber (SM Fiber)**

WSLP-635-030m-4

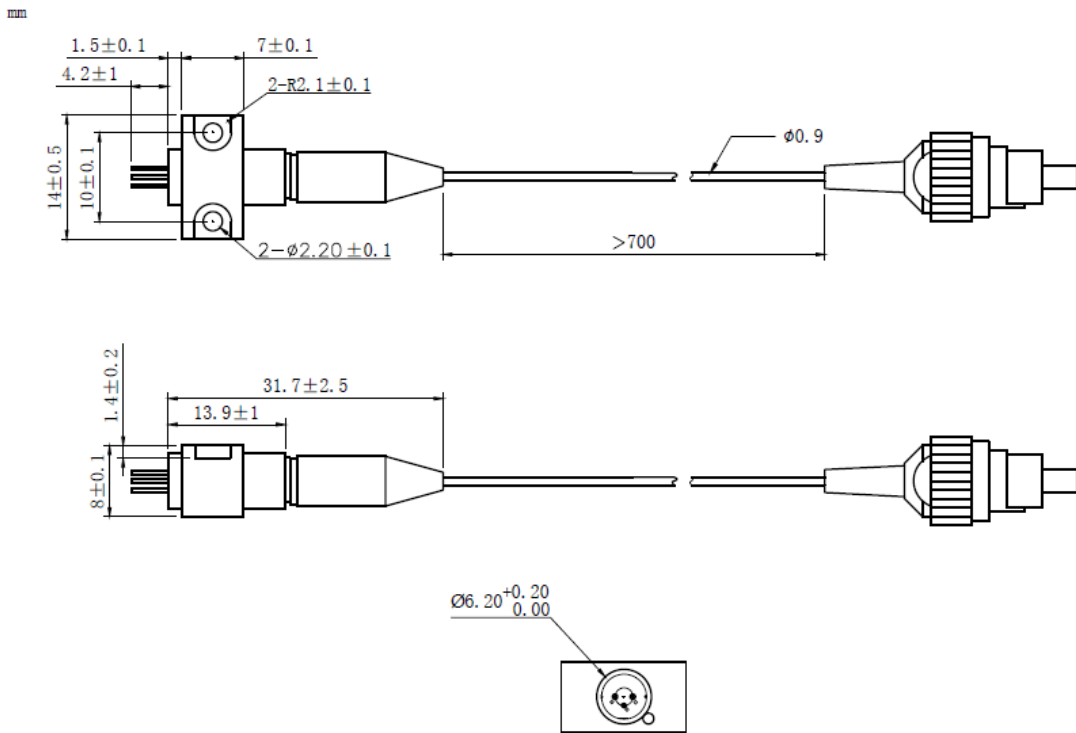
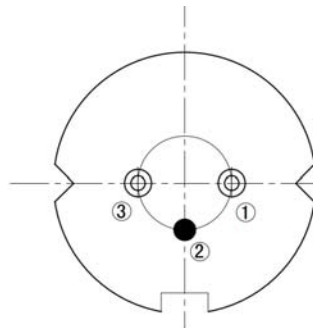
Wavespectrum Laser Group

www.wavespectrum-laser.com

635nm Pigtailed Diode Laser		30mW/SM Fiber		en.wavespectrum-laser.com.cn	
PARAMETER	SYMBOL	VALUE		UNIT	
Reverse Voltage	V_r	2.0		V	
Operating Temperature	T_{op}	-10~+60		°C	
Storage Temperature	T_{stg}	-40~+85		°C	
Lead soldering temperature (10 sec.)	T_{is}	260		°C	
Features: <ul style="list-style-type: none"> 635nm SM Fiber Coaxial or B82 Package 					
Applications: <ul style="list-style-type: none"> Medical Laser Treatment Aiming Beam Others 					
Specifications	WSLP-635-030m-4				
	Min	Type	Max		
Center Wavelength@25°C	630nm	638nm	645nm		
Recommended work Temperature	25°C				
Output Power	----	30mW	----		
Fiber Type	Single Mode Fiber				
Fiber Core	4um				
Monitor Current	----	----	----		
PD Reverse Voltage	----	----	----		
Fiber Connector	FC/SC/SMA905				
Fiber Length	----	80cm	100cm		
Threshold Current	----	50mA	75mA		
Operating Current	----	180mA	200mA		
Operating Voltage	----	2.8V	3.2V		
Package Style	Coaxial or B82				



Coaxial Package View: (Part Number: WSLP-635-030m-4)

B82 Package View: (Part Number: WSLP-635-030m-4-B)

PIN Bottom View:


1	LD(+)
2	GND
3	LD(-)



Electrically shorten LD module and store in non-extreme conditions.
Suggest using the constant current power supply.

