


**488nm~492nm 20mW Coaxial Pigtailed Laser Diode with PMF | Blue Laser Module**  
**485nm~488nm~490nm 20mW PM Fiber Coupled LD | 3um Polarization Maintaining (SM Fiber)**  
 WSLP-488-020m-PM      Wavespectrum Laser Group      www.wavespectrum-laser.com

**488nm Pigtailed Diode Laser      20mW/PMF      en.wavespectrum-laser.com.cn**

PARAMETER	SYMBOL	VALUE	UNIT
Reverse Voltage	$V_r$	2.0	V
Operating Temperature	$T_{op}$	-10~+60	°C
Storage Temperature	$T_{stg}$	-40~+85	°C
Lead soldering temperature (10 sec.)	$T_{is}$	260	°C

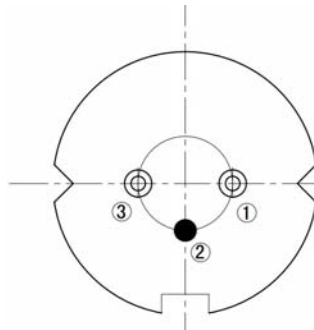
<b>Features:</b> <ul style="list-style-type: none"> <li><span style="color: yellow;">●</span> 488nm</li> <li><span style="color: yellow;">●</span> PM Fiber</li> <li><span style="color: yellow;">●</span> High Reliability</li> <li><span style="color: yellow;">●</span> High Polarization Extinction Ratio</li> </ul>	
<b>Applications:</b> <ul style="list-style-type: none"> <li><span style="color: yellow;">●</span> Medical Laser Treatment</li> <li><span style="color: yellow;">●</span> Biotechnology</li> <li><span style="color: yellow;">●</span> Others</li> </ul>	

Specifications	WSLP-488-020m-PM		
	Min	Type	Max
Center Wavelength@25°C	480nm	488nm	495nm
Spectral Width (FWHM)	----	2.0nm	----
Output Power	----	20mW	----
Fiber Type	Polarization Maintaining Fiber		
Fiber Core	3um		
Recommend Operating Temperature	25°C		
Fiber Connector	FC/APC		
Polarization Extinction Ratio	13dB	15dB	
Fiber Length	----	80cm	100cm
Threshold Current	----	35mA	70mA
Operating Current	----	120mA	140mA
Operating Voltage	----	6.5V	8.0V
Package Style	Coaxial or B82		



**Coaxial Package View: (Part Number: WSLP-488-020m-PM)**

**B82 Package View: (Part Number: WSLP-488-020m-PM-B)**

**PIN Bottom View:**


<b>1</b>	<b>LD(+)</b>
<b>2</b>	<b>GND</b>
<b>3</b>	<b>LD(-)</b>



Electrically shorten LD module and store in non-extreme conditions.  
Suggest using the constant current power supply.

