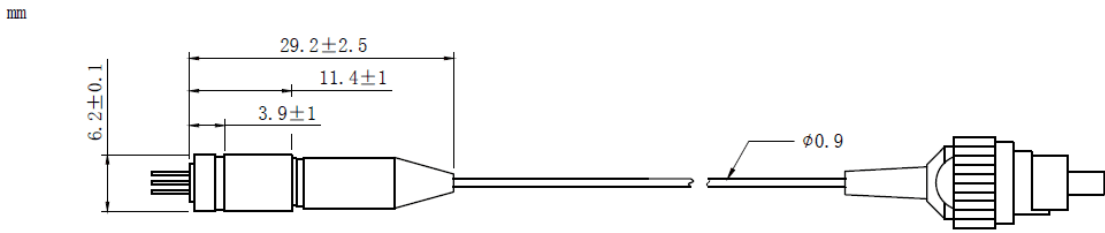
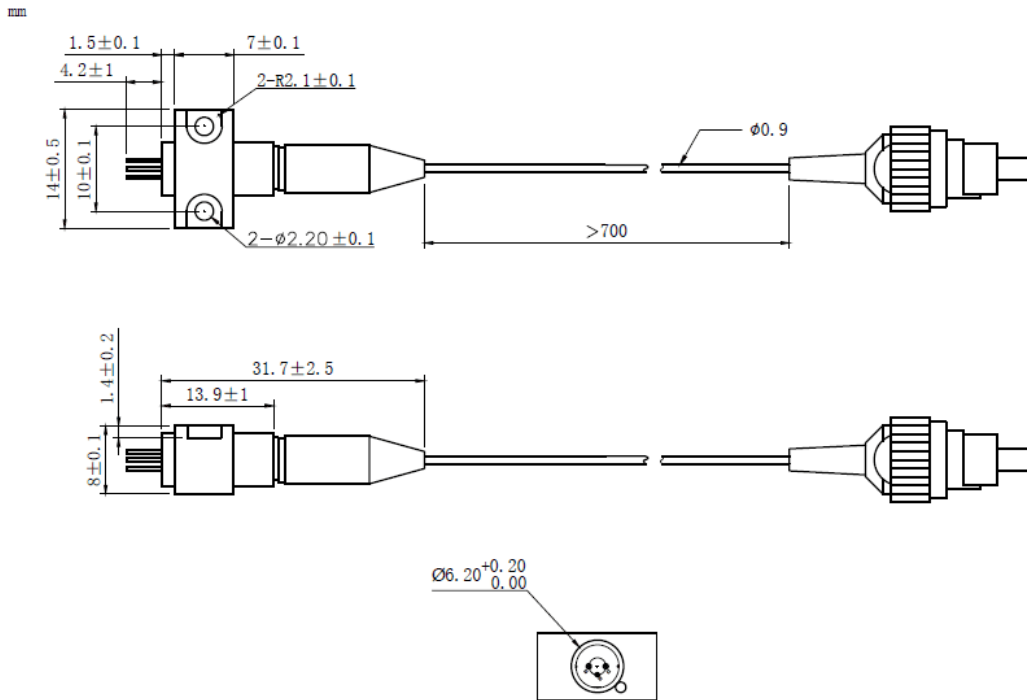
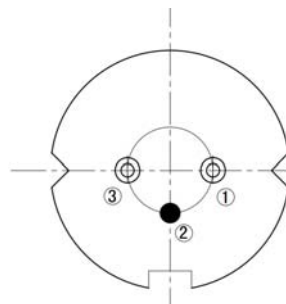


405nm 15mW~20mW SM Pigtailed Laser Diode Module With Coaxial Package
405nm 15mW Single Mode Fiber Coupled Diode Laser Module | Violet LD Module With SMF
WSLP-405-015m-4
Wavespectrum Laser Group
www.wavespectrum-laser.com
en.wavespectrum-laser.com.cn

405nm Pigtailed Diode Laser 15mW/SMF			
PARAMETER	SYMBOL	VALUE	UNIT
Reverse Voltage	V_r	2.0	V
Operating Temperature	T_{op}	-10~+70	°C
Storage Temperature	T_{stg}	-40~+85	°C
Lead soldering temperature (10 sec.)	T_{is}	260	°C
Features: <ul style="list-style-type: none"> ● 405nm ● 3um SM Fiber ● Coaxial or B82 Package 			
Applications: <ul style="list-style-type: none"> ● Medical Laser Treatment ● Printing ● Others 			
Specifications	WSLP-405-015m-4		
	Min	Type	Max
Center Wavelength@25°C	$\pm 5nm$	405nm	$\pm 10nm$
Spectral Width (FWHM)	----	2.0nm	----
Output Power	----	15mW	----
Fiber Type	UV Single Mode Fiber		
Fiber Core	3um		
Recommend Operating Temperature	25°C		
Monitor Current	----	----	----
PD Reverse Voltage	----	----	----
Fiber Connector	FC/SC/SMA905		
Fiber Length	----	80cm	100cm
Threshold Current	----	30mA	55mA
Operating Current	----	100mA	120mA
Operating Voltage	----	4.8V	5.5V
Package Style	Coaxial or B82		



Coaxial Package View: (Part Number: WSLP-405-015m-4)

B82 Package View: (Part Number: WSLP-405-015m-4-B)

PIN Bottom View:


1	LD(+)
2	GND
3	LD(-)



Electrically shorten LD module and store in non-extreme conditions.
Suggest using the constant current power supply.

