

405nm~410nm 50mW High Power SM Pigtailed Laser Diode Module With Coaxial Package
405nm 50mW Single Mode Fiber Coupled Diode Laser Module | Violet LD Module With SMF
WSLP-405-050m-4 Wavespectrum Laser Group www.wavespectrum-laser.com

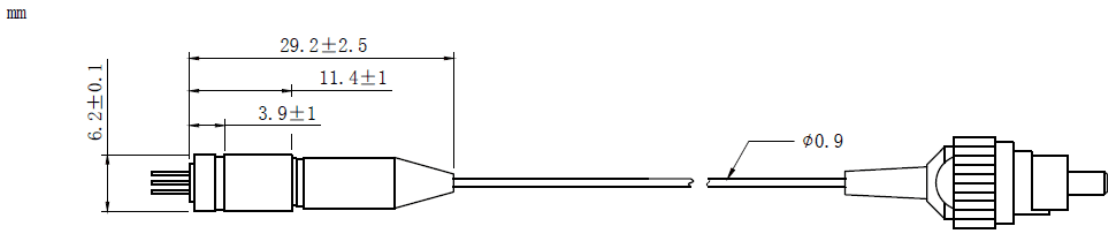
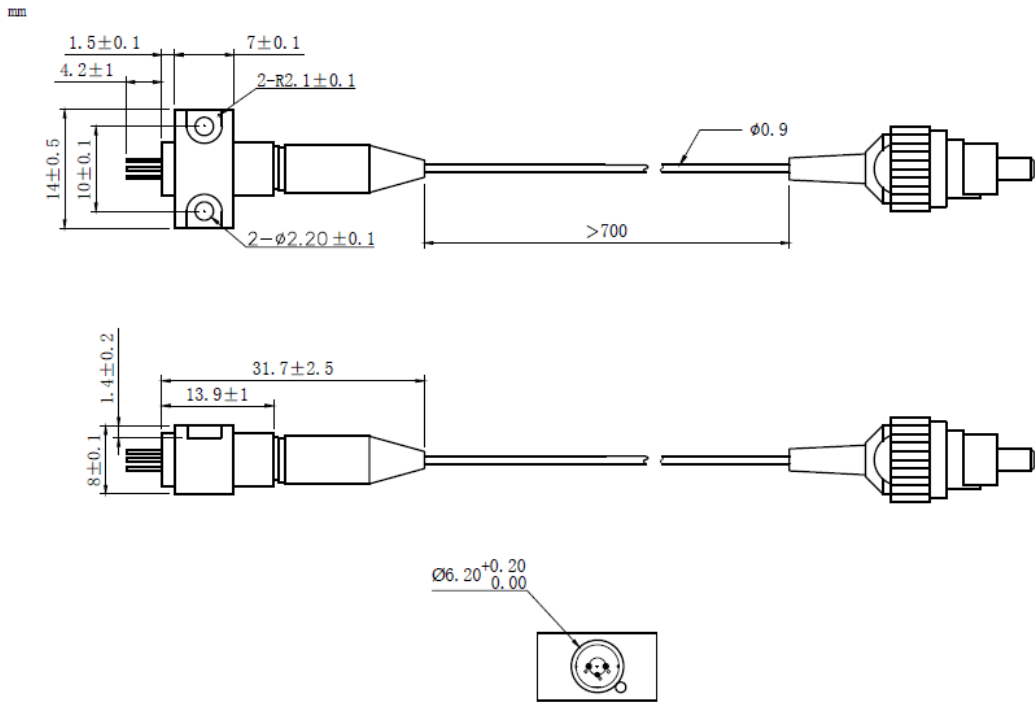
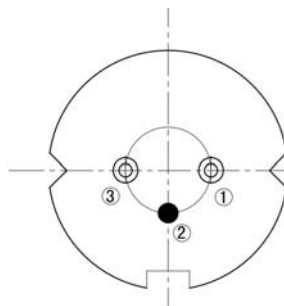
405nm Pigtailed Diode Laser 50mW/SMF en.wavespectrum-laser.com.cn

PARAMETER	SYMBOL	VALUE	UNIT
Reverse Voltage	V_r	2.0	V
Operating Temperature	T_{op}	-10~+70	°C
Storage Temperature	T_{stg}	-40~+85	°C
Lead soldering temperature (10 sec.)	T_{is}	260	°C

Features: <ul style="list-style-type: none"> 405nm 3um SM Fiber Coaxial or B82 Package 	
Applications: <ul style="list-style-type: none"> Medical Laser Treatment Printing Others 	

Specifications	WSLP-405-050m-4		
	Min	Type	Max
Center Wavelength@25℃	±5nm	405nm	±10nm
Spectral Width (FWHM)	----	2.0nm	----
Output Power	----	50mW	----
Fiber Type	UV Single Mode Fiber		
Fiber Core	3um		
Recommend Operating Temperature	25℃		
Monitor Current	----	----	----
PD Reverse Voltage	----	----	----
Fiber Connector	FC/SC/SMA905		
Fiber Length	----	80cm	100cm
Threshold Current	----	35mA	55mA
Operating Current	----	140mA	160mA
Operating Voltage	----	5.0V	5.8V
Package Style	Coaxial or B82		



Coaxial Package View: (Part Number: WSLP-405-050m-4)

B82 Package View: (Part Number: WSLP-405-050m-4-B)

PIN Bottom View:


1	LD(+)
2	GND
3	LD(-)



Electrically shorten LD module and store in non-extreme conditions.
Suggest using the constant current power supply.

