


## 405nm 80mW High Power SM Pigtailed Laser Diode Module With Polarization maintaining Fiber 405nm 80mW PM Fiber Coupled Diode Laser Module | Violet LD Module With PMF

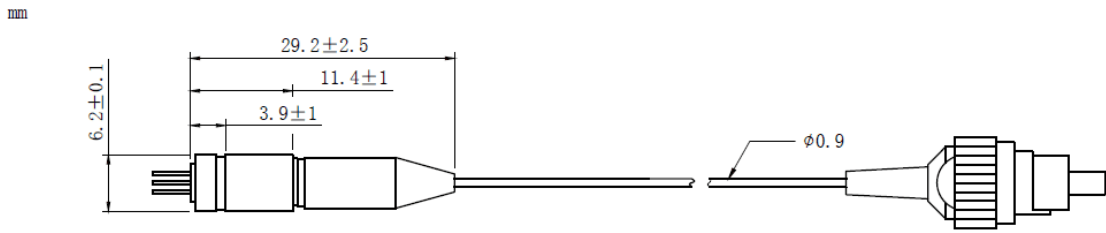
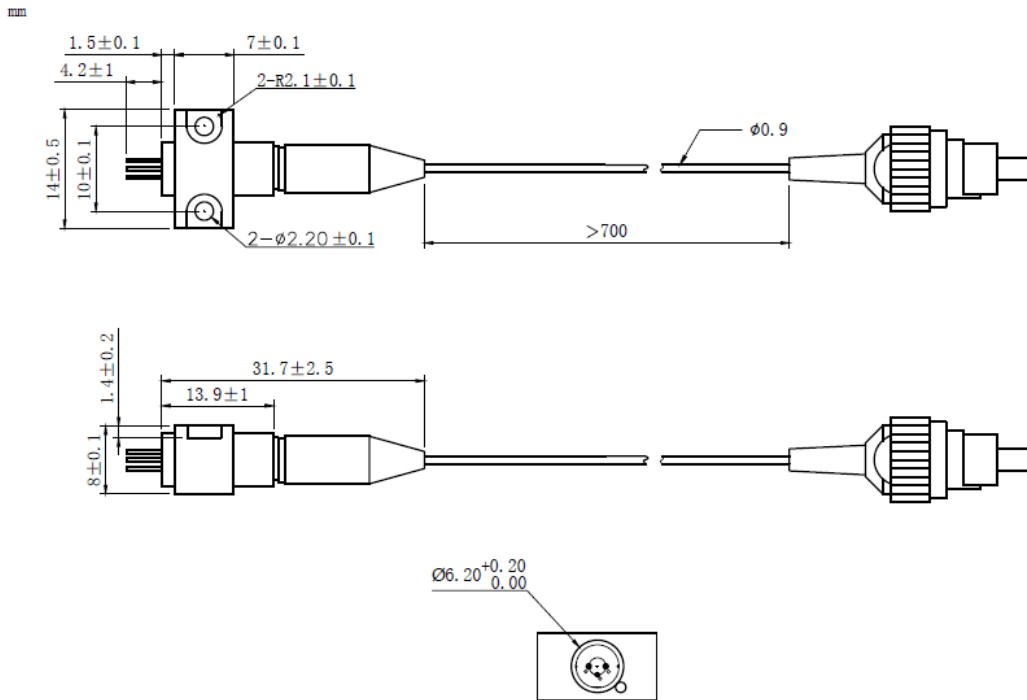
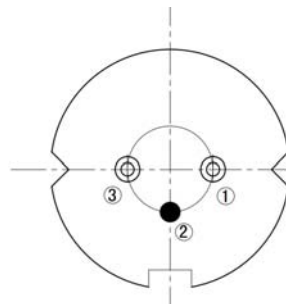
WSLP-405-080m-PM

Wavespectrum Laser Group

[www.wavespectrum-laser.com](http://www.wavespectrum-laser.com)

405nm Pigtailed Diode Laser		80mW/PMF		<a href="http://en.wavespectrum-laser.com.cn">en.wavespectrum-laser.com.cn</a>	
PARAMETER	SYMBOL	VALUE	UNIT		
Reverse Voltage	$V_r$	2.0	V		
Operating Temperature	$T_{op}$	-10~+70	°C		
Storage Temperature	$T_{stg}$	-40~+85	°C		
Lead soldering temperature (10 sec.)	$T_{is}$	260	°C		
<b>Features:</b> <ul style="list-style-type: none"> <li>405nm</li> <li>PM Fiber</li> <li>High Reliability</li> <li>High Polarization Extinction Ratio</li> </ul>					
<b>Applications:</b> <ul style="list-style-type: none"> <li>Medical Laser Treatment</li> <li>Biotechnology</li> <li>Others</li> </ul>					
<b>Specifications</b>	<b>WSLP-405-080m-PM</b>				
	Min	Type	Max		
Center Wavelength@25°C	±5nm	405nm	±10nm		
Spectral Width (FWHM)	----	2.0nm	----		
Output Power	----	80mW	----		
Fiber Type	UV Polarization Maintaining Fiber				
Fiber Core	3um				
Recommend Operating Temperature	25°C				
Polarization Extinction Ratio	13dB	15dB	----		
Fiber Connector	FC/APC				
Fiber Length	----	80cm	100cm		
Threshold Current	----	35mA	70mA		
Operating Current	----	170mA	190mA		
Operating Voltage	----	5.2V	6.0V		
Package Style	Coaxial or B82				
High Polarization Extinction Ratio (PER) Version Laser Module is also available, please contact us.					



**Coaxial Package View: (Part Number: WSLP-405-080m-PM)**

**B82 Package View: (Part Number: WSLP-405-080m-PM-B)**

**PIN Bottom View:**


<b>1</b>	<b>LD(+)</b>
<b>2</b>	<b>GND</b>
<b>3</b>	<b>LD(-)</b>



Electrically shorten LD module and store in non-extreme conditions.  
Suggest using the constant current power supply.

