

780nm~785nm 5W H-mount Laser Diode | Window Package LD | FAC Optional | Square Beam Optional

785nm~790nm Laser Diode | High Power LD | 5W Power | Hermetic Package

WSLD-785-005-H

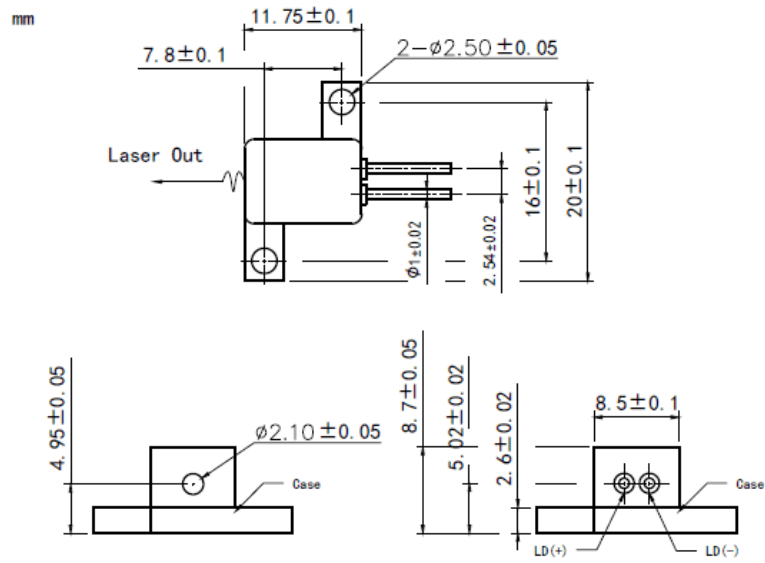
Wavespectrum Laser Group

www.wavespectrum-laser.com

785nm Laser Diode		5W/H-mount		Wavespectrum Laser Group	
PARAMETER	SYMBOL	VALUE	UNIT		
Reverse Voltage	$V_r$	2.0	V		
Operating Temperature	$T_{op}$	+10~+30	°C		
Storage Temperature	$T_{stg}$	-20~ +80	°C		
Lead soldering temperature (10 sec.)	$T_{is}$	260	°C		
<b>Features:</b> <ul style="list-style-type: none"> <li>● 785nm</li> <li>● Multimode</li> <li>● H-mount Package (Window Package)</li> <li>● FAC Lens Optional</li> </ul>					
<b>Applications:</b> <ul style="list-style-type: none"> <li>● Medical Laser Treatment</li> <li>● Sensing</li> <li>● Others</li> </ul>					
Specifications		WSLD-785-005-H			
		Min	Type	Max	
Center Wavelength@25°C		±5nm	785nm	±10nm	
Spectral Width (FWHM)			2.0nm		
Output Power		----	5W	----	
Emitter Area		----	200x1µm	----	
Beam Divergence (FWHM)		----	35°± x 8°//	----	
Temperature Coefficient of Wavelength		----	0.3nm / °C	----	
Slope Efficiency		----	1.2W/A	----	
Threshold Current (Typ.)		----	0.7A	1.0A	
Operating Current (Typ.)		----	5.0A	5.5A	
Operating Voltage		----	1.9V	2.3V	
Package Style		H-mount			
Recommended Operating Temperature		25°C			



## H-mount Package View



**Electrically shorten LD module and store in non-extreme conditions.  
Suggest using the constant current power supply.**

