

635nm~640nm 5mW Receptacle Package Laser Diode Module

635nm Receptacle LD

WSLR-635-005m-M-PD

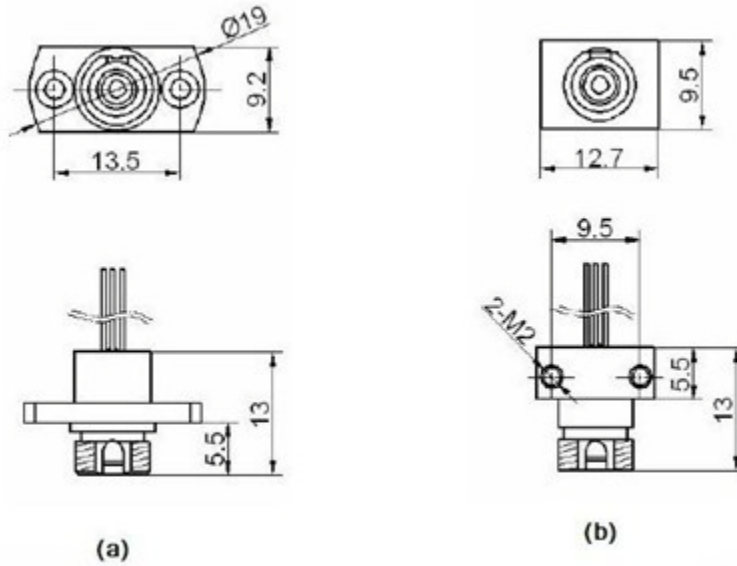
Wavespectrum laser inc.

www.wavespectrum-laser.com

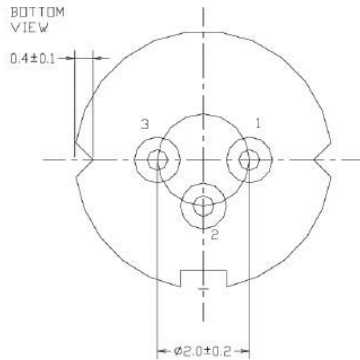
PARAMETER	SYMBOL	VALUE	UNIT
Reverse Voltage	V_r	2.0	V
Operating Temperature	T_{op}	-10~+40	°C
Storage Temperature	T_{stg}	-40 ~ +85	°C
Lead soldering temperature (10 sec.)	T_{is}	260	°C
Features: <ul style="list-style-type: none"> • 635nm • For Multimode Fiber • Receptacle package • Built-in PD 			
Applications: <ul style="list-style-type: none"> • Medical laser treatment • Printing • Other 			
Specifications	WSLR-635-005m-M-PD		
	Min	Type	Max
Center Wavelength@25°C	630nm	635nm	640nm
Spectral Width (FWHM)	----	2.0nm	----
Optical Fiber Output Power (After Fiber)	----	>5mw	----
Fiber Specification	62.5um , 105um (or more)		
	0.22 (or more)		
Slope Efficiency	0.25mW/mA	0.5mW/mA	0.65mW/mA
Monitor Current	0.03mA	0.12mA	0.5mA
PD Reverse Voltage	----	30V	----
Ferrule Type	FC		
Other Customized Ferrule Type	ST , SC		
Threshold Current (Typ.)	----	30mA	35mA
Operating Current (Typ.)	----	55mA	65mA
Operating Voltage	----	2.2V	2.5V
Package Style	Receptacle		
Recommended Operating Temperature	25°C		



FC Connector Receptacle Package View



PIN Bottom View:



1	LD(+)
2	LD(-)&PD(-)
3	PD(+)

Electrically shorten LD module and store in non-extreme conditions.

Suggest using the constant current power supply.

Caution
 On operation, if optical connectors are unterminated, modules can emit invisible laser radiation. Radiation emitted by laser devices can be dangerous to the eyes. Avoided eye or skin exposure to direct or scattered radiation

