


650nm 2mW Receptacle Package Laser Diode Module

650nm~658nm~660nm Receptacle LD

WSLR-650-002m-M-PD

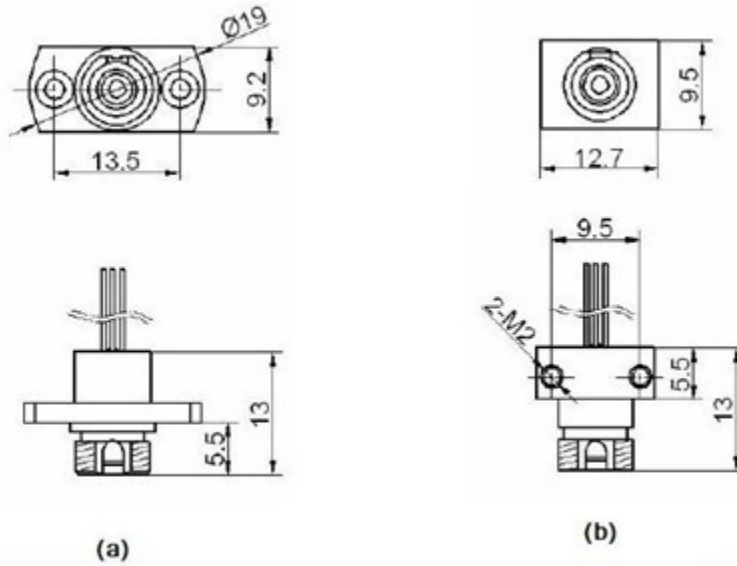
Wavespectrum laser inc.

www.wavespectrum-laser.com

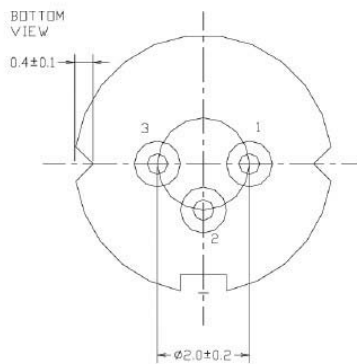
650nm Receptacle Diode Laser		2mW	Wavespectrum Laser, Inc	
PARAMETER	SYMBOL	VALUE	UNIT	
Reverse Voltage	V_r	2.0	V	
Operating Temperature	T_{op}	-10~+50	°C	
Storage Temperature	T_{stg}	-40 ~ +85	°C	
Lead soldering temperature (10 sec.)	T_{is}	260	°C	
Features: <ul style="list-style-type: none"> • 650nm • MM Fiber • Receptacle Package • Built-in PD 				
Applications: <ul style="list-style-type: none"> • Medical laser treatment • Other 				
Specifications	WSLR-650-002m-M-PD			
	Min	Type	Max	
Center Wavelength@25°C	645nm	655nm	660nm	
Spectral Width (FWHM)	----	2.0nm	----	
Optical Fiber Output Power (After Fiber)	----	2mw	----	
Fiber Specification	62.5um , 105um (or more)			
	0.22 (or more)			
Slope Efficiency	0.4mW/mA	0.6mW/mA	1.0mW/mA	
Monitor Current	0.05mA	0.15mA	0.3mA	
PD Reverse Voltage	----	30V	----	
Ferrule Type	FC			
Other Customized Ferrule Type	ST , SC			
Threshold Current (Typ.)	----	20mA	25mA	
Operating Current (Typ.)	----	36mA	45mA	
Operating Voltage	----	2.3V	2.6V	
Package Style	Receptacle			



FC Connector Receptacle Package View



PIN Bottom View:



1	LD(-)
2	LD(+)&PD(-)
3	PD(+)

Electrically shorten LD module and store in non-extreme conditions.

Suggest using the constant current power supply.

Caution
On operation, if optical connectors are unterminated, modules can emit invisible laser radiation. Radiation emitted by laser devices can be dangerous to the eyes. Avoided eye or skin exposure to direct or scattered radiation

