

650nm 660nm 100mW Receptacle LD (Laser Diode) Module

658nm 100mw MM Receptacle Laser Diode Module

WSLR-650-100m-M

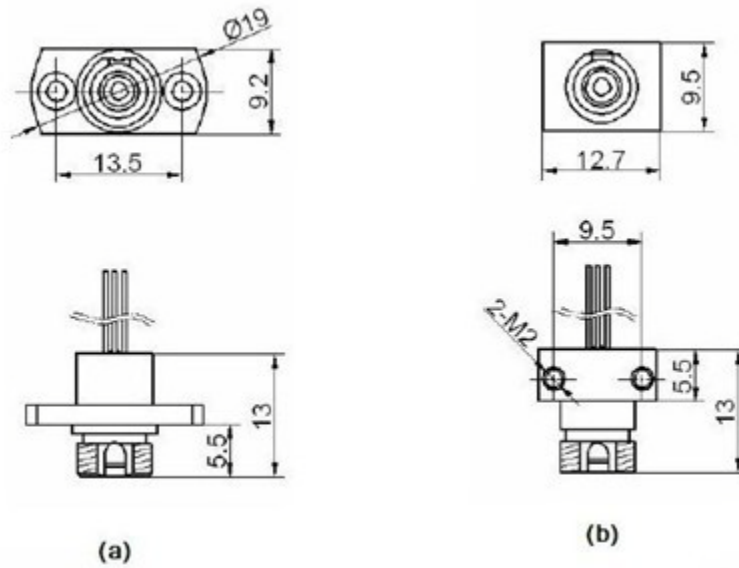
Wavespectrum laser inc.

www.wavespectrum-laser.com

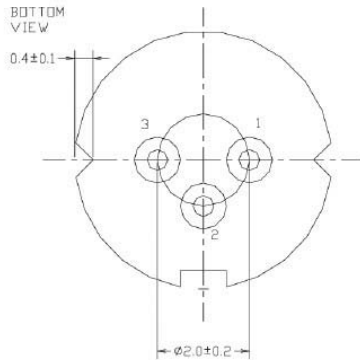
650nm Receptacle Diode Laser		100mW	Wavespectrum Laser, Inc	
PARAMETER	SYMBOL	VALUE	UNIT	
Reverse Voltage	V_r	2.0	V	
Operating Temperature	T_{op}	-10 ~ +50	°C	
Storage Temperature	T_{stg}	-40 ~ +85	°C	
Lead soldering temperature (10 sec.)	T_{is}	260	°C	
Features: <ul style="list-style-type: none"> 650nm 100mw Output Power Receptacle Package 				
Applications: <ul style="list-style-type: none"> Medical laser treatment Printing Others 				
Specifications	WSLR-650-100m-M			
	Min	Type	Max	
Center Wavelength@25°C	654nm	658nm	662nm	
Spectral Width (FWHM)	----	2.0nm	----	
Optical Fiber Output Power (After Fiber)	----	100mw	----	
Fiber Specification	62.5um , 105um (or more)			
	0.22 (or more)			
Slope Efficiency	----	0.95mW/mA	----	
Monitor Current	----	----	----	
PD Reverse Voltage	----	----	----	
Ferrule Type	FC			
Other Customized Ferrule Type	ST,SC			
Threshold Current (Typ.)	----	70mA	90mA	
Operating Current (Typ.)	----	230mA	250mA	
Operating Voltage	----	2.4V	3.0V	
Package Style	Receptacle			



FC Connector Receptacle Package View



PIN Bottom View:



1	LD(+)
2	GND
3	LD(-)

Electrically shorten LD module and store in non-extreme conditions.

Suggest using the constant current power supply.

Caution
 On operation, If optical connectors are unterminated, modules can emit invisible laser radiation. Radiation emitted by laser devices can be dangerous to the eyes. Avoided eye or skin exposure to direct or scattered radiation

