


## 635nm 150mW~160mw Receptacle Laser Diodes (LD)

### 635nm MM Receptacle Laser Diodes Module

WSLR-635-160m-M

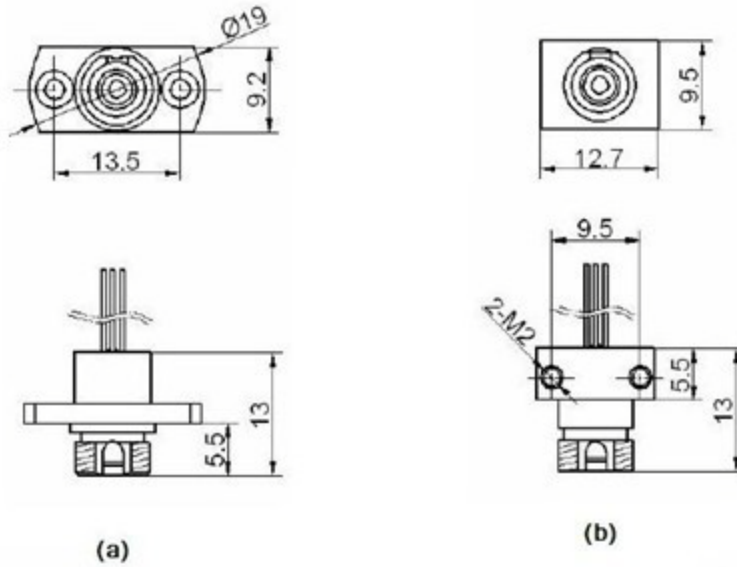
Wavespectrum laser inc.

www.wavespectrum-laser.com

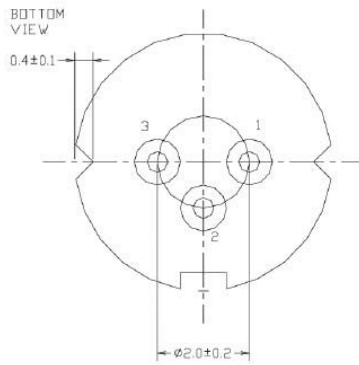
| PARAMETER  | SYMBOL   | VALUE      | UNIT     |
|--|--|------------|----------|
| Reverse Voltage  | $V_r$  | 2.0        | V        |
| Operating Temperature  | $T_{op}$   | -5 ~ +50   | °C       |
| Storage Temperature  | $T_{stg}$  | -40 ~ +100 | °C       |
| Lead soldering temperature (10 sec.)   | $T_{is}$   | 260        | °C       |
| <b>Features:</b> <ul style="list-style-type: none"> <li>• 635nm</li> <li>• MM Fiber</li> <li>• Receptacle package</li> </ul>           |  |            |          |
| <b>Applications:</b> <ul style="list-style-type: none"> <li>• Medical laser treatment</li> <li>• Printing</li> <li>• Others</li> </ul> |  |            |          |
| <b>Specifications</b>  | <b>WSLR-635-160m-M</b>   |            |          |
|  | Min  | Type       | Max      |
| Center Wavelength@25°C   | 630nm  | 638nm      | 645nm    |
| Spectral Width (FWHM)  | ----   | 2.0nm      | ----     |
| Optical Fiber Output Power (After Fiber)   | ----   | 160mw      | ----     |
| Fiber Specification  | 105um ( or more)   |            |          |
|  | 0.22 (or more)   |            |          |
| Slope Efficiency   | ----   | 1.0mW/mA   | 1.3mW/mA |
| Ferrule Type   | FC   |            |          |
| Other Customized Ferrule Type  | SC, ST   |            |          |
| Threshold Current (Typ.)   | ----   | 135mA      | 180mA    |
| Operating Current (Typ.)   | ----   | 450mA      | 480mA    |
| Operating Voltage  | ----   | 2.3V       | 2.5V     |
| Package Style  | Receptacle   |            |          |
| Recommended Operating Temperature  | 25°C   |            |          |



### FC Connector Receptacle Package View



### PIN Bottom View:



|   |       |
|---|-------|
| 1 | LD(+) |
| 2 | GND   |
| 3 | LD(-) |

Electrically shorten LD module and store in non-extreme conditions.

Suggest using the constant current power supply.

**Caution**  
 On operation, if optical connectors are unterminated, modules can emit invisible laser radiation. Radiation emitted by laser devices can be dangerous to the eyes. Avoided eye or skin exposure to direct or scattered radiation

