

## 770nm 10W Fiber Coupled Laser Diode (LD) Module

770nm|10W Output Power| HHL Package| 400um Fiber Core| High Power LD|TEC Cooling

WSLB-770-010-H

Wavespectrum Laser Group

www.wavespectrum-laser.com

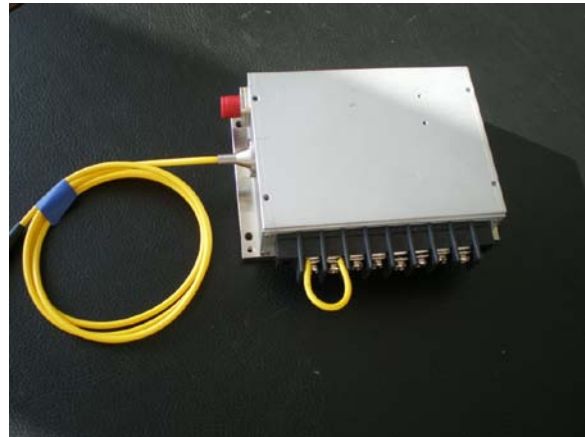
PARAMETER	SYMBOL	VALUE	UNIT
Reverse Voltage	$V_r$	2.0	V
Operating Temperature	$T_{op}$	+10 ~ +30	°C
Storage Temperature	$T_{stg}$	-20 ~ +80	°C
Lead soldering temperature (10 sec.)	$T_{is}$	260	°C

### Features:

- 770nm
- **Built-in** TEC Cooling
- Photodiodes Optional
- Stainless Steel Armor Optional

### Applications:

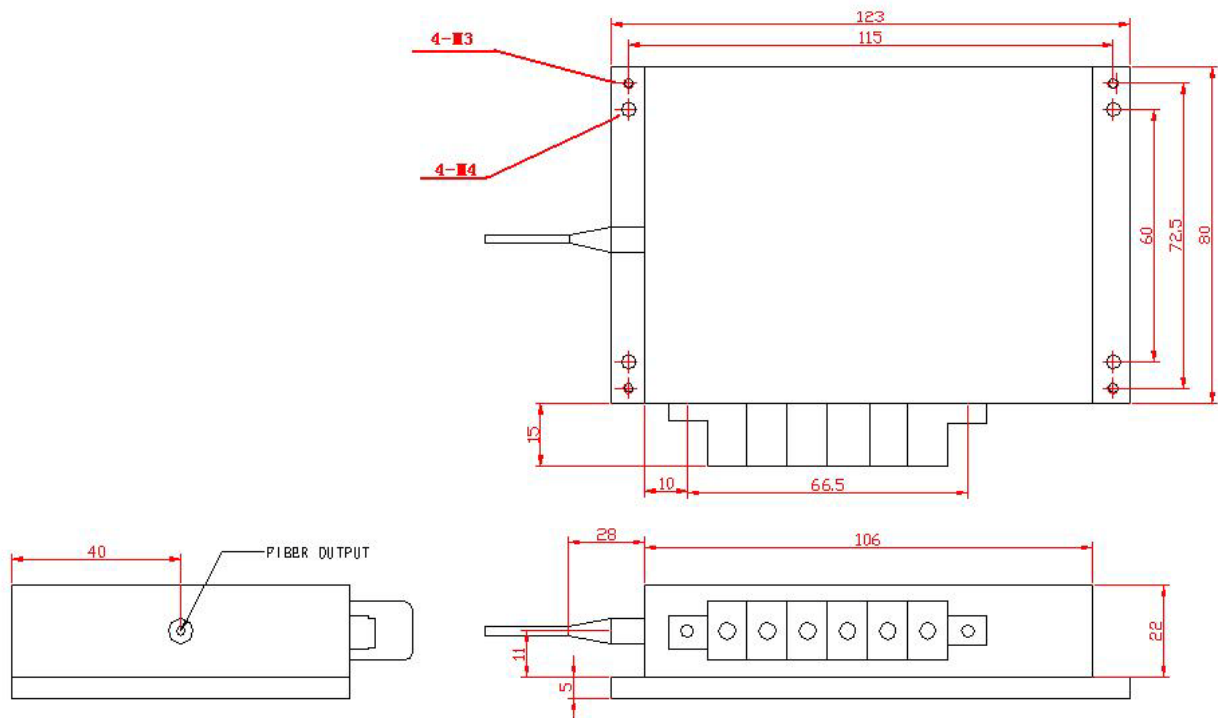
- Medical laser treatment
- Others



Specifications	WSLB-770-010-H		
	Min.	Type	Max.
Center Wavelength@25°C	±3nm	770nm	±10nm
Spectral Width (FWHM)	----	3nm	----
Output Power	----	10W	----
Temperature Coefficient of Wavelength	----	0.3nm / °C	----
Threshold Current (Typ.)	----	300mA	----
Operating Current (Typ.)	----	2.5A	----
Operating Voltage		16V	
Cooling	TEC Cooling		
Fiber Core Diameter	<400um		
Fiber Numerical Aperture	0.22		
Fiber Length	100cm		
Connector Type	SMA905/ST/FC		
Package	P2 Package		



Package View



PIN	1	2	3	4	5	6
	LD(+)	LD(-)	RT	RT	TEC(-)	TEC(+)

Wavespectrum offer **Customized 770nm Fiber Coupled LD.**

Please let me know your special request:

- Customized Output Power
- Customized Fiber
- Customized Fiber Connector

Contact us with [info@wavespectrum-laser.com](mailto:info@wavespectrum-laser.com)

Electrically shorten LD module and store in non-extreme conditions.

Suggest using the constant current power supply.



Wavespectrum Laser, Inc.  
 www.wavespectrum-laser.com  
 wavespectrumlaser@gmail.com

