


690nm 15mw~20mw Coaxial Pigtailed LD with MM Fiber

690nm MM Fiber Coupled Laser Diode

WSLP-690-015m-M-PD

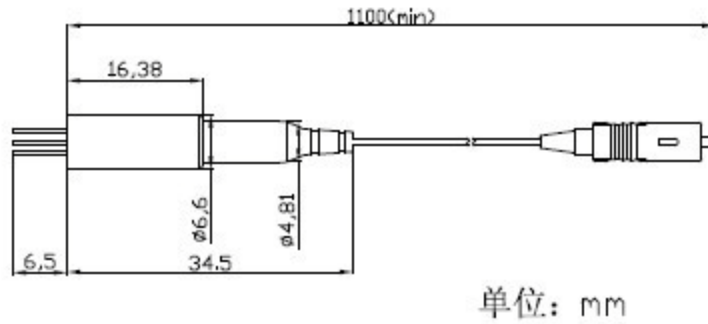
Wavespectrum laser inc.

www.wavespectrum-laser.com

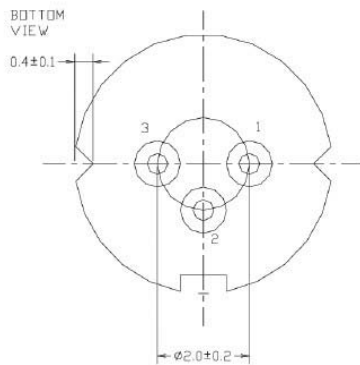
690nm Pigtailed Diode Laser		15mW/MM Fiber		Wavespectrum Laser, Inc	
PARAMETER	SYMBOL	VALUE	UNIT		
Reverse Voltage	V_r	2.0	V		
Operating Temperature	T_{op}	-10~+70	°C		
Storage Temperature	T_{stg}	-40 ~ +85	°C		
Lead soldering temperature (10 sec.)	T_{is}	260	°C		
Features: <ul style="list-style-type: none"> 690nm With MM Fiber Coaxial package Built-in PD 					
Applications: <ul style="list-style-type: none"> Medical laser treatment Printing 					
Specifications	WSLP-690-015m-M-PD				
	Min	Type	Max		
Center Wavelength@25°C	680nm	690nm	695nm		
Spectral Width (FWHM)	----	----	2.0nm		
Output Power	----	15mw	20mw		
Fiber Core	62.5um (105um optional)				
Recommend Operating Temperature	25°C				
Monitor Current	0.02mA	0.1mA	0.45mA		
PD Reverse Voltage	----	30V	----		
Fiber Connector	FC (SMA905 Optional)				
Fiber Length	----	80cm	100cm		
Threshold Current (Typ.)	----	45mA	----		
Operating Current (Typ.)	----	90mA	----		
Operating Voltage	----	2.5V	2.8V		
Package Style	Coaxial				



Coaxial Package View



PIN Bottom View:



1	LD(+)
2	LD(-)&PD(+)
3	PD(-)

Electrically shorten LD module and store in non-extreme conditions.
Suggest using the constant current power supply.

