

980nm 150mw SM Laser Diode with PD

980nm~976nm | 150mw Output Power | Single Mode LD | 9mm TO5 Package | Built-in Photodiodes

WSLD-980-150m-2-PD

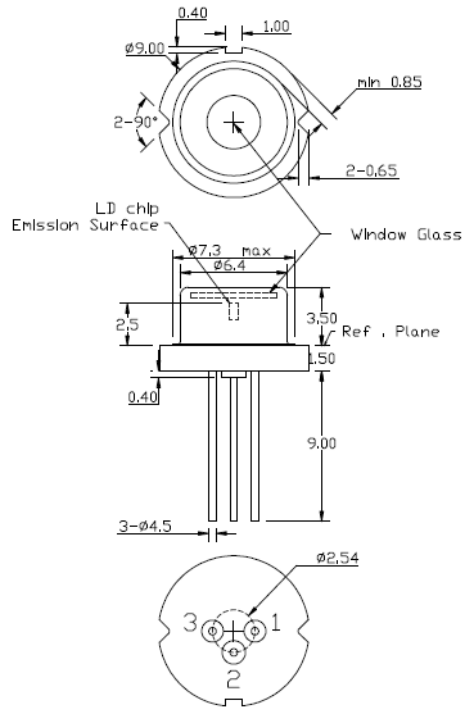
Wavespectrum Laser Group

www.wavespectrum-laser.com

980nm Laser Diode	150mw	Single Mode	Wavespectrum Laser Group	
Reverse Voltage	V_r	2.0	V	
Operating Temperature	T_{op}	-10 ~ +70	°C	
Storage Temperature	T_{stg}	-40 ~ +85	°C	
Lead soldering temperature (10 sec.)	T_{is}	260	°C	
Features: <ul style="list-style-type: none"> 980nm Built-in PD Single Mode Beam TO5 9mm Package 				
Applications: <ul style="list-style-type: none"> Medical laser treatment Laser indicator Others 				
Specifications		WSLD-980-150m-2-PD		
		Min	Type	Max
Center Wavelength@25°C		970nm	980nm	990nm
Spectral Width (FWHM)		----	1nm	2.0nm
Output Power		----	150mw	----
Emitter Size		----	3um*1.5um	----
Beam Divergence (FWHM)		32°± x 8°//	38°± x 10°//	43°± x 12°//
Test Temperature		25 °C		
Slope Efficiency		0.8mW/mA	0.9mW/mA	----
Threshold Current (Typ.)		25mA	30mA	50mA
Operating Current (Typ.)		----	190mA	210mA
Operating Voltage		----	1.6V	2.0V
Monitor Current		----	0.65uA	1.5uA
Package Style		TO18		



TO5(9mm) Package View



1	LD(-)
2	LD(+)&PD(-)
3	PD(+)

Electrically shorten LD module and store in non-extreme conditions.
 Suggest using the constant current power supply.

